



DOC60

Brazed plate heat exchanger for oil cooling

General information

Alfa Laval introduced its first brazed plate heat exchanger in 1977 and has since continuously developed and optimized its performance and reliability.

Brazing the stainless steel plates together eliminates the need for gaskets and thick frame plates, which makes the heat exchanger compact and saves material. The brazing material seals and holds the plates together at the contact points ensuring optimal heat transfer efficiency and pressure resistance. Using advanced design technologies and extensive verification guarantees the highest performance and longest possible service lifetime.

The Dedicated Oil Cooler (DOC) brazed plate heat exchangers are specifically designed for hydraulic oil cooling applications. The connection flanges give a robust construction that can withstand tough operating conditions.

Typical applications

Hydraulic oil cooling

Capacity range

DOC60 cover capacities from 20 up to 140 kW. Based on standard components and a modular concept, each unit is custom-designed for each specific installation.

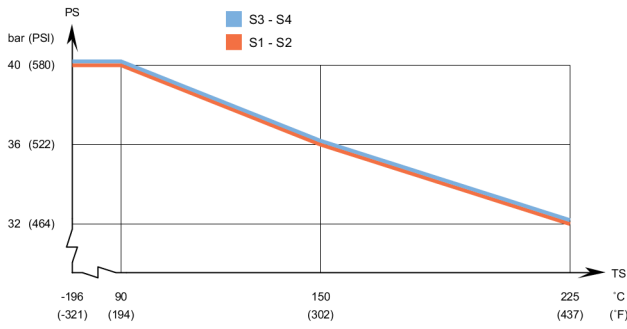
Particulars required for quotation

To enable Alfa Laval's representative to make a specific quotation, specify the following particulars in your enquiry:

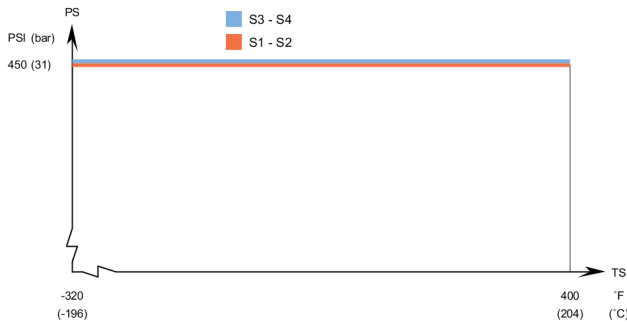
- Required flow rates or heat load
- Temperature program
- Physical properties of liquids in question
- Desired working pressure
- Maximum permitted pressure drop



DOC60 - PED approval pressure/temperature graph*



DOC60 - UL approval pressure/temperature graph*



Standard dimensions and weight*

- A measure mm = $13 + (2.35 * n) \pm 1.5 \%$
- A measure inch = $0.51 + (0.09 * n) \pm 0.06 \%$
- Weight** kg = $2.1 + (0.18 * n)$
- Weight** lb = $4.63 + (0.4 * n)$

(n = number of plates)
 * Excluding connections

Standard data

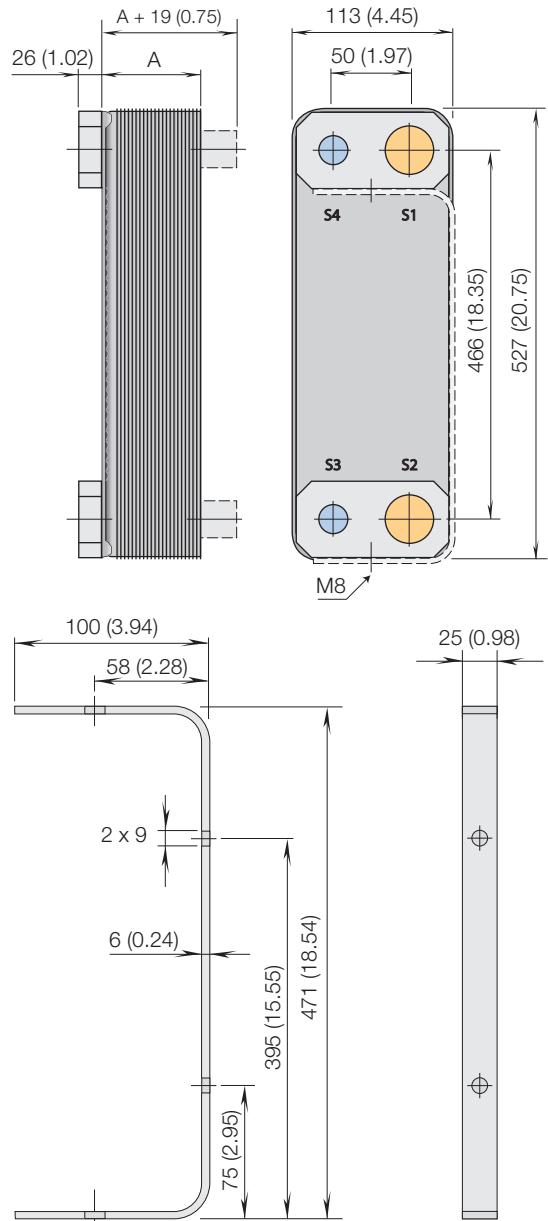
Min. working temperature	see graph
Max. working temperature	see graph
Min. working pressure	vacuum
Max. working pressure	see graph
Volume per channel, litres (ga)	0.10 (0.03)
Max. particle size mm (inch)	1 (0.04)
Max. flowrate* m ³ /h (gpm)	8.8 (38.72)
Min. nbr of plates	10
Max. nbr of plates	100

* Water at 5 m/s (16.4 ft/s) (connection velocity)

Standard materials

Cover plates	Stainless steel
Connections	Stainless steel
Plates	Stainless steel
Brazing filler	Copper

Standard dimensions
mm (inch)



For exact values please contact your local Alfa Laval representative

How to contact Alfa Laval

Up-to-date AlfaLaval contact details for all countries are always available on our website on www.alfalaval.com