

D Series

Air Cooled Condensing Units



Standard Construction

Cabinet: The rugged, industrial grade cabinet is constructed of heavy gauge, mill galvanized steel. Easily removable top and side panels are provided for convenient component access. Rigging holes are provided in the formed, full-perimeter channel base. Compressors are mounted low in the cabinet for ease of service.

Condensers: Coils are seamless copper tube with die stamped aluminum plate fins, galvanized steel frames and tube sheets. Coils are computer selected for refrigeration applications to provide optimum heat transfer at a minimum T.D. All units are catalog rated to operate efficiently at 115°F ambient conditions. Each unit is provided with a separate, sub cooling circuit to maximize unit performance.

Condenser fan motors are industrial duty 1140 RPM, ball bearing, weather resistant, three phase with inherent electrical protection. Condenser fan blades are of heavy steel, with a corrosion resistant coating.

Coils are mounted horizontally with fans arranged for draw through, vertical discharge air flow. Each fan assembly is equipped with a sturdy poly-coated steel fan guard.

Liquid Receiver: U.L. listed or ASME stamped receivers are selected to provide system pumpdown capacity considering normal evaporator and nominal 100 ft. equivalent line length. Each receiver is equipped with inlet and outlet service valves, gauge port, and pressure relief device. Oversize receivers are available with or without, optional low ambient condenser flooding valves.

Compressors: U.L. listed, semi-hermetic, energy efficient, disc valve compressors are applied

throughout the line. Each compressor is equipped with reversible oil pump, suction and discharge service valves with gauge ports, inherent three phase overload protection, oil level sight glass, crankcase heater, spring isolator mounting, in line discharge vibrasorber and auxiliary head cooling fan and/or oil cooler (where required).

All DM Series condensing units are provided with a PLC-type compressor control. The controller will monitor the system pressures and cycle compressors accordingly. Additionally, other control systems are available for more sophisticated applications.

Controls: All condensing units are wired to operate on a standard pumpdown cycle. Run/pumpdown switch is provided as standard.

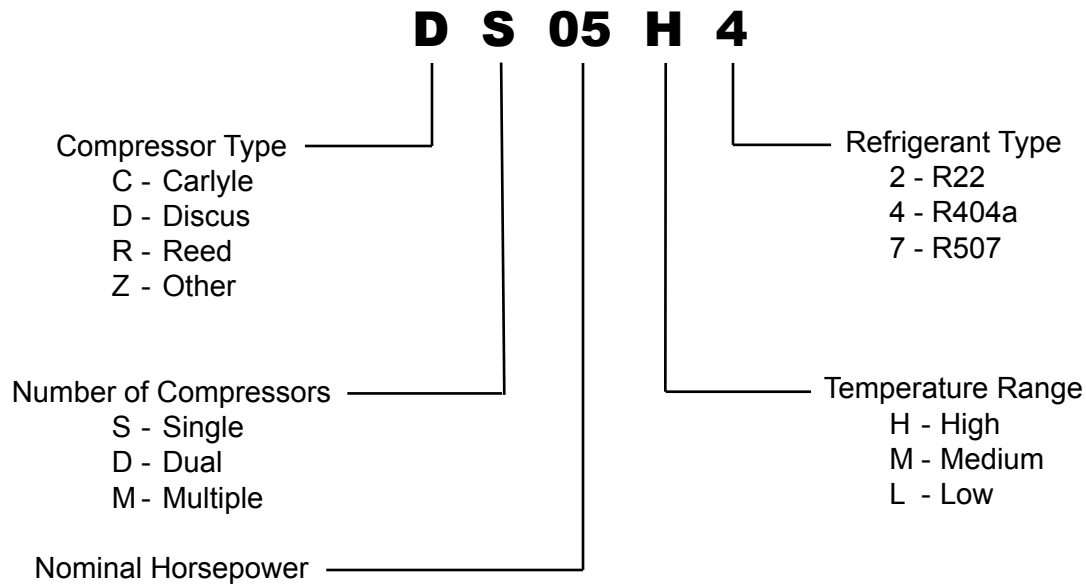
All electrical control components are enclosed within a heavy-gauge weatherproof, hinged panel to provide maximum weather protection and enhance service analysis.

All units have individually numbered control conductors. Also standard are adjustable, refrigeration grade, separate high and low pressure switches (high-manual reset); oil pressure failure switch (manual reset); and an individually numbered terminal strip for field connections. Conductors and fusing are selected per N.E.C. standards. A generously-sized enclosure is provided with adequate space to accommodate a complete defrost control system, either factory mounted and wired or field provided. Notably all Century control components are selected to be readily available through refrigeration wholesalers throughout the country. O.E.M. type controls are judicially avoided.

Standard Features

- Direct Drive Condenser Fans
- Liquid Receiver with Relief Valve
- Receiver Inlet and Outlet Valves
- Refrigerant Charging Valve
- High Pressure Safety
- Low Pressure Operating Control
- Crankcase Heater
- Poly-Coated Fan Guard
- Compressor Contactor
- Fan Motor Contactor
- Vibration Isolation Under Compressor
- Separate Sub-Cooling Circuit
- Compressor Overload Protection
- Fan Motor Overload Protection
- Removable Access Panels
- NEMA 3R Weatherproof Electrical Panel
- Prewired Controls
- Hinged Control Panel Access
- Rigging Holes
- Compressor Service Valves
- Discharge Vibrasorber
- Oil Failure Control
- Low Profile
- Run/Pumpdown Switch

Nomenclature



Application

Century's "D" Series outdoor air cooled condensing units are specifically designed for commercial and industrial refrigeration duty cooling applications. They come completely pre-piped and wired with low profile and vertical air discharge. They also utilize a unique horizontal condenser and coil design and high volume condenser fans. Each unit is provided with a separate sub-cooling circuit to maximize unit performance. The "D" Series condensing unit is suitable for mounting at ground level or rooftop.

The "D" Series condensing units can be applied between the operating saturated suction temperatures of -40°F and 45°F depending on the unit selected and the refrigerant utilized.

"D" Series condensing units can be matched with the Century Refrigeration FV Series, FH Series, BALV Series, A Series medium profile

unit coolers, BOC Series large profile unit coolers, or the PFE Blast Cooler / Freezer unit coolers. Applications ranging from low temperature product storage, produce ripening or medium temperature product storage can be readily supported by the "D" Series condensing units.

Each "DM" Series unit is designed to meet the demands of multiple load applications required for commercial and industrial refrigeration. The "DM" Series units bridge the gap between individual systems and large multiple compressor rack systems for the warehouse industry.

Refrigerants 404a, 507, and 22 are available to meet your product application. POE oils, as required, can be supplied and managed to provide a dependable large tonnage condensing unit to meet today's rapidly changing market place.

When Ordering Please Specify:

- Complete Model Number
- Refrigerant R22, R404a, or R507
- Room Temperature
- Saturated Suction Temperature
- Electrical Characteristics
 - Unit Voltage & Control Voltage
- Accessories

We reserve the right to change or revise specifications and product design in connection with any feature of our products. Such changes do not entitle the buyer to corresponding changes, improvements, additions or replacement for equipment previously sold or shipped.

R404a - High Temp.		Unit Model Numbers			
		DS05H4	DS08H4	DS09H4	DS10H4
Compressor Model Number		2DD3-0500	2DA3-0750	3DA3-0750	3DB3-1000
Compressor Motor Protection		INHERENT			
Number of Cylinders		2	2	3	3
MCA †	208/230 V	31.2	45.7	57.0	60.2
	460 V	14.6	20.3	27.7	27.6
RLA / LRA per compressor	208/230 V	22.3 / 120.0	32.0 / 169.0	41.0 / 215.0	43.6 / 215.0
	460 V	10.5 / 60.0	14.1 / 85.0	20.0 / 106.0	20.0 / 106.0
Number of Condenser Fan Motors		1	1	1	2
Size of Motor / Size of Blade		1/2 HP - 24"	1 HP - 28"	1 HP - 28"	1/2 HP - 24"
Condenser Fan Motor Amps Each	208/230 V	2.2	4.6	4.6	2.2
	460 V	1.1	2.3	2.3	1.1
Receiver Size		6" x 36"	8 5/8" x 36"	8 5/8" x 42"	8 5/8" x 42"
Receiver Capacity 80% Full**		28 lbs.	56 lbs.	63 lbs.	63 lbs.
Unit Operating Charge (approx.) †	Standard*	29 lbs.	37 lbs.	49 lbs.	61 lbs.
	w/Flood Control*	41 lbs.	81 lbs.	88 lbs.	96 lbs.
Compressor Suction Connection - ODS		1 3/8"	1 3/8"	1 3/8"	1 3/8"
Liquid Line Connection - ODS		5/8"	5/8"	7/8"	7/8"
Unit Shipping Weight (approx.)		1,289 lbs.	1,397 lbs.	1,475 lbs.	1,670 lbs.

* Based on 100 feet of equivalent refrigerant line piping. (Does not include the evaporator.)

** Based on 80% full at 90°F ambient.

† DS and DM models are per unit. DD models are per circuit.

Ambient Temp. °F	Suction Temp. °F	Unit Model Numbers							
		DS05H4		DS08H4		DS09H4		DS10H4	
		Capacity	KW ¹	Capacity	KW ¹	Capacity	KW ¹	Capacity	KW ¹
85°	-10°	27,366	4.06	41,951	6.25	49,244	7.36	58,974	8.64
	0°	34,551	4.59	51,714	6.90	59,904	8.14	72,371	9.56
	10°	43,155	5.10	63,692	7.52	73,313	8.88	88,737	10.44
	20°	53,150	5.59	77,805	8.14	89,295	9.61	107,980	11.30
	25°	58,579	5.84	85,675	8.45	98,259	9.98	118,637	11.74
	30°	64,337	6.08	94,075	8.76	107,825	10.35	130,038	12.18
	45°	83,154	6.84	121,913	9.78	139,424	11.53	167,766	13.58
95°	-10°	25,180	4.12	38,951	6.38	46,707	7.59	55,291	8.94
	0°	31,413	4.73	47,441	7.12	55,597	8.47	66,887	9.98
	10°	39,012	5.29	57,987	7.83	67,177	9.30	81,209	10.96
	20°	47,822	5.83	70,603	8.52	81,145	10.11	98,341	11.92
	25°	52,666	6.10	77,561	8.87	88,971	10.51	107,808	12.40
	30°	57,711	6.37	85,062	9.22	97,395	10.92	117,893	12.88
	45°	74,295	7.20	109,979	10.33	125,227	12.19	161,404	14.40
105°	-10°	23,046	4.13	36,132	6.44	44,578	7.73	51,826	9.14
	0°	28,292	4.81	43,187	7.29	51,519	8.73	61,441	10.31
	10°	34,756	5.44	52,266	8.08	61,046	9.66	73,676	11.41
	20°	42,402	6.04	63,206	8.86	72,931	10.55	88,393	12.48
	25°	46,575	6.33	69,326	9.24	79,659	10.99	96,662	13.01
	30°	50,952	6.63	75,846	9.64	86,825	11.44	105,504	13.53
	45°	65,274	7.53	97,534	10.86	110,819	12.82	134,489	15.19
115°	-10°	21,004	4.06	33,511	6.43	42,839	7.78	48,551	9.23
	0°	25,178	4.83	39,021	7.39	47,651	8.91	61,441	10.31
	10°	30,499	5.54	46,463	8.29	55,020	9.95	66,027	11.78
	20°	36,812	6.21	55,662	9.16	64,594	10.94	78,311	12.96
	25°	40,326	6.53	60,805	9.59	70,153	11.43	85,206	13.55
	30°	—	—	66,282	10.03	—	—	92,643	14.14
	45°	—	—	—	—	—	—	—	—

¹ KW is for unit. — Consult factory.

NOTE: High Temp. units running at 0° and -10°F SST will require Aux. Cooling Fans. Consult factory.

R404a - High Temp.		Unit Model Numbers			
		DS12H4	DS15H4	DS20H4	DS25H4
Compressor Model Number		3DF3-1200	3DS3-1500	4DA3-2000	4DH3-2500
Compressor Motor Protection		INHERENT			
Number of Cylinders		3	3	4	4
MCA †	208/230 V	70.8	85.0	93.0	118.0
	460 V	34.5	41.3	47.0	59.4
RLA / LRA per compressor	208/230 V	48.2 / 275.0	59.6 / 275.0	66.6 / 308.0	82.2 / 428.0
	460 V	23.6 / 138.0	29.0 / 138.0	33.3 / 154.0	41.4 / 214.0
Number of Condenser Fan Motors		2	2	2	3
Size of Motor / Size of Blade		1 HP - 28"	1 HP - 28"	1 HP - 28"	1 HP - 28"
Condenser Fan Motor Amps Each	208/230 V	4.6	4.6	4.6	4.6
	460 V	2.3	2.3	2.3	2.3
Receiver Size		8 5/8" x 60"	8 5/8" x 60"	8 5/8" x 60"	8 5/8" x 60"
Receiver Capacity 80% Full**		94 lbs.	94 lbs.	94 lbs.	94 lbs.
Unit Operating Charge (approx.) †	Standard*	66 lbs.	72 lbs.	75 lbs.	88 lbs.
	w/Flood Control*	132 lbs.	132 lbs.	133 lbs.	133 lbs.
Compressor Suction Connection - ODS		1 3/8"	1 5/8"	1 5/8"	2 1/8"
Liquid Line Connection - ODS		7/8"	7/8"	7/8"	7/8"
Unit Shipping Weight (approx.)		1,891 lbs.	1,891 lbs.	2,124 lbs.	2,511 lbs.

* Based on 100 feet of equivalent refrigerant line piping. (Does not include the evaporator.)

** Based on 80% full at 90°F ambient.

† DS and DM models are per unit. DD models are per circuit.

Ambient Temp. °F	Suction Temp. °F	Unit Model Numbers							
		DS12H4		DS15H4		DS20H4		DS25H4	
		Capacity	KW ¹	Capacity	KW ¹	Capacity	KW ¹	Capacity	KW ¹
85°	-10°	73,476	11.57	80,853	12.65	82,162	12.88	106,705	17.31
	0°	89,943	12.70	98,605	13.95	102,457	14.34	132,729	19.07
	10°	110,222	13.83	120,453	15.24	126,483	15.71	163,224	20.79
	20°	134,196	14.97	146,122	16.56	154,049	17.05	197,933	22.53
	25°	147,667	15.55	160,408	17.25	169,211	17.71	216,885	23.42
	30°	161,887	16.16	175,508	14.96	185,089	18.38	236,945	24.33
	45°	209,244	18.16	225,297	20.32	237,038	20.47	301,879	27.26
95°	-10°	69,010	11.91	75,981	13.01	74,383	13.00	98,109	17.74
	0°	83,096	13.19	91,060	14.47	92,197	14.66	121,181	19.71
	10°	100,833	14.44	110,038	15.90	113,502	16.21	148,390	21.62
	20°	122,058	15.70	132,643	17.35	138,001	17.71	179,406	23.53
	25°	133,966	16.35	145,151	18.11	151,370	18.45	196,273	24.51
	30°	146,493	17.02	158,542	18.88	165,546	19.18	214,004	25.50
	45°	188,616	19.18	202,510	21.40	211,099	21.50	271,434	28.66
105°	-10°	64,853	12.15	71,439	13.25	66,652	12.96	89,242	18.00
	0°	76,364	13.59	83,682	14.88	81,938	14.84	109,291	20.20
	10°	91,395	14.98	99,620	16.47	100,289	16.59	132,946	22.32
	20°	109,652	16.38	118,911	18.08	121,462	18.26	159,934	24.43
	25°	119,896	17.10	129,720	18.90	133,177	19.09	174,671	25.50
	30°	130,941	14.82	141,142	19.74	145,375	19.91	190,246	26.57
	45°	167,349	20.17	178,895	22.47	185,017	22.45	240,039	30.00
115°	-10°	61,086	12.27	67,333	13.36	58,912	12.75	80,233	18.08
	0°	69,783	13.89	76,432	15.20	71,448	14.88	96,865	20.55
	10°	81,886	15.45	89,080	16.97	86,653	16.85	116,953	22.91
	20°	96,952	17.00	104,823	18.74	104,650	18.72	139,873	25.23
	25°	105,598	17.78	113,777	19.64	114,449	19.64	152,257	26.4
	30°	114,859	18.58	—	—	124,652	20.56	—	—
	45°	—	—	—	—	—	—	—	—

¹ KW is for unit.

— Consult factory.

NOTE: High Temp. units running at 0° and -10°F SST will require Aux. Cooling Fans. Consult factory.

R404a - High Temp.		Unit Model Numbers			
		DS30H4	DS35H4	DS40H4	DD10H4
Compressor Model Number		4DJ3-3000	6DH3-3500	6DJ3-4000	2DD3-0500 (2)
Compressor Motor Protection		INHERENT			
Number of Cylinders		4	6	6	2
MCA †	208/230 V	132.8	174.8	*** See note below	31.2
	460 V	66.1	87.5	98.4	14.6
RLA / LRA per compressor	208/230 V	94.0 / 470.0	125.1 / 565.0	*** See note below	22.3 / 120.0
	460 V	47.0 / 235.0	62.6 / 283.0	71.0 / 297.0	10.5 / 60.0
Number of Condenser Fan Motors		3	4	4	2
Size of Motor / Size of Blade		1 HP - 28"	1 HP - 28"	1 HP - 28"	1/2 HP - 24"
Condenser Fan Motor Amps Each	208/230 V	4.6	4.6	4.6	2.2
	460 V	2.3	2.3	2.3	1.1
Receiver Size		10 3/4" x 60"	10 3/4" x 60"	12 3/4" x 60"	6" x 36" (2)
Receiver Capacity 80% Full**		144 lbs.	144 lbs.	191 lbs.	28 lbs.
Unit Operating Charge (approx.) †	Standard*	120 lbs.	133 lbs.	154 lbs.	29 lbs.
	w/Flood Control*	217 lbs.	212 lbs.	254 lbs.	41 lbs.
Compressor Suction Connection - ODS		2 1/8"	2 1/8"	2 1/8"	1 3/8"
Liquid Line Connection - ODS		1 1/8"	1 1/8"	1 1/8"	5/8"
Unit Shipping Weight (approx.)		2,616 lbs.	3,357 lbs.	3,457 lbs.	2,210 lbs.

* Based on 100 feet of equivalent refrigerant line piping. (Does not include the evaporator.)
 ** Based on 80% full at 90°F ambient.
 † DS and DM models are per unit. DD models are per circuit.

*** Voltage	MCA	RLA	LRA
208v	209	150	754
230v	199	142	594

Ambient Temp. °F	Suction Temp. °F	Unit Model Numbers							
		DS30H4		DS35H4		DS40H4		DD10H4	
		Capacity	KW ¹	Capacity	KW ¹	Capacity	KW ¹	Capacity	KW ¹
85°	-10°	127,699	19.76	162,223	25.21	193,910	30.10	55,027	8.09
	0°	158,530	22.13	199,125	28.20	237,300	33.52	69,615	9.15
	10°	195,455	24.46	243,865	31.06	288,606	36.93	87,115	10.14
	20°	238,305	26.79	296,123	33.87	347,587	40.45	107,557	11.09
	25°	261,947	27.98	325,165	36.29	379,667	42.29	118,679	11.57
	30°	286,815	29.20	355,393	36.74	413,872	44.19	130,501	12.05
	45°	368,430	33.08	456,541	41.26	524,171	50.50	169,315	13.52
95°	-10°	118,039	20.26	149,821	25.75	178,243	30.84	50,607	8.24
	0°	144,908	22.90	181,688	29.12	216,661	34.66	63,325	9.43
	10°	177,559	25.45	221,088	32.29	262,261	38.46	78,790	10.54
	20°	215,623	27.98	267,403	35.40	314,992	42.33	96,879	11.60
	25°	236,489	29.27	293,003	36.95	343,558	44.35	106,751	12.12
	30°	258,698	30.56	320,075	38.53	373,654	46.43	117,302	12.64
	45°	330,878	34.70	409,093	43.44	471,872	53.22	151,633	14.24
105°	-10°	108,607	20.53	138,053	25.97	162,395	31.28	46,339	8.26
	0°	131,275	23.46	164,476	29.75	195,612	35.56	57,065	9.60
	10°	159,276	26.26	198,001	33.30	235,337	39.77	70,364	10.84
	20°	192,102	29.03	238,076	36.73	281,307	44.04	86,010	12.02
	25°	210,329	30.42	260,303	38.44	306,018	46.26	94,684	12.60
	30°	229,436	31.83	283,809	40.15	332,630	48.52	103,775	13.18
	45°	292,249	36.24	360,843	45.48	417,321	55.89	133,496	14.93
115°	-10°	99,358	20.55	126,877	25.84	146,680	31.42	42,272	8.15
	0°	117,531	23.81	147,580	30.09	174,092	36.21	50,786	9.66
	10°	140,618	26.90	175,020	34.06	207,583	40.88	61,775	11.06
	20°	168,177	29.93	208,221	37.87	246,370	45.61	74,828	12.37
	25°	183,371	31.44	227,053	39.74	—	—	82,155	13.01
	30°	199,598	32.96	—	—	—	—	89,874	13.64
	45°	—	—	—	—	—	—	—	—

¹ KW is for unit. — Consult factory.
 NOTE: High Temp. units running at 0° and -10°F SST will require Aux. Cooling Fans. Consult factory.

R404a - High Temp.		Unit Model Numbers			
		DD16H4	DD18H4	DD20H4	DD24H4
Compressor Model Number		2DA3-0750 (2)	3DA3-0750 (2)	3DB3-1000 (2)	3DF3-1200 (2)
Compressor Motor Protection		INHERENT			
Number of Cylinders		2	3	3	3
MCA †	208/230 V	45.7	57.0	60.2	70.8
	460 V	20.4	27.6	27.6	34.5
RLA / LRA per compressor	208/230 V	32.0 / 169.0	41.0 / 215.0	43.6 / 215.0	48.2 / 275.0
	460 V	14.1 / 85.0	20.0 / 106.0	20.0 / 106.0	23.6 / 138.0
Number of Condenser Fan Motors		2	4	4	4
Size of Motor / Size of Blade		1 HP - 28"	1/2 HP - 24"	1/2 HP - 24"	1 HP - 28"
Condenser Fan Motor Amps Each	208/230 V	4.6	2.2	2.2	4.6
	460 V	2.3	1.1	1.1	2.3
Receiver Size		8 5/8" x 36" (2)	8 5/8" x 42" (2)	8 5/8" x 42" (2)	8 5/8" x 60" (2)
Receiver Capacity 80% Full**		56 lbs.	63 lbs.	63 lbs.	94 lbs.
Unit Operating Charge (approx.) †	Standard*	37 lbs.	49 lbs.	61 lbs.	66 lbs.
	w/Flood Control*	81 lbs.	84 lbs.	93 lbs.	134 lbs.
Compressor Suction Connection - ODS		1 3/8" (2)	1 3/8" (2)	1 3/8" (2)	1 3/8" (2)
Liquid Line Connection - ODS		5/8" (2)	7/8" (2)	7/8" (2)	7/8" (2)
Unit Shipping Weight (approx.)		2,440 lbs.	2,520 lbs.	2,585 lbs.	2,701 lbs.

* Based on 100 feet of equivalent refrigerant line piping. (Does not include the evaporator.)

** Based on 80% full at 90°F ambient.

† DS and DM models are per unit. DD models are per circuit.

Ambient Temp. °F	Suction Temp. °F	Unit Model Numbers							
		DD16H4		DD18H4		DD20H4		DD24H4	
		Capacity	KW ¹	Capacity	KW ¹	Capacity	KW ¹	Capacity	KW ¹
85°	-10°	82,897	12.58	98,336	14.75	117,994	17.27	146,406	23.21
	0°	101,636	13.95	119,475	16.32	144,810	19.11	178,670	25.54
	10°	124,496	15.28	146,031	17.83	177,628	20.85	218,458	27.84
	20°	151,242	16.61	177,561	19.32	216,276	22.58	265,400	30.20
	25°	166,001	17.29	195,200	20.80	237,762	23.43	291,592	31.42
	30°	181,633	17.99	213,893	20.84	260,488	24.32	319,277	32.69
	45°	232,980	20.24	276,024	23.25	336,128	27.11	410,883	36.85
95°	-10°	75,999	12.81	93,347	15.20	110,679	17.88	137,517	23.88
	0°	93,138	14.36	110,871	16.98	133,887	19.95	165,098	26.49
	10°	113,168	15.84	133,675	18.66	162,689	21.90	199,778	29.04
	20°	136,710	17.32	161,199	20.30	197,020	23.81	241,165	31.64
	25°	149,726	18.07	176,661	21.12	216,151	24.76	264,203	32.97
	30°	163,626	18.83	193,150	21.95	236,230	25.74	288,477	34.37
	45°	208,871	21.28	247,642	24.55	303,711	28.74	369,278	38.86
105°	-10°	71,486	12.90	89,084	15.48	103,696	18.28	129,253	24.33
	0°	84,679	14.65	102,680	17.49	122,999	20.61	151,683	27.26
	10°	101,640	16.32	121,396	19.37	147,612	22.81	180,798	30.11
	20°	121,988	17.95	144,708	21.18	177,148	24.93	216,203	32.97
	25°	133,236	18.78	157,956	22.07	193,655	25.98	235,975	34.44
	30°	145,195	19.62	171,891	22.98	211,488	27.03	257,244	35.93
	45°	184,367	22.27	218,982	25.77	269,966	30.33	327,120	40.78
115°	-10°	66,260	12.83	86,237	15.56	97,167	18.47	121,777	24.55
	0°	76,450	14.81	95,176	17.83	112,150	21.10	138,579	27.84
	10°	90,046	16.68	109,325	19.94	132,162	23.56	161,806	31.01
	20°	106,894	18.50	128,102	21.94	156,850	25.92	190,881	34.17
	25°	116,343	19.41	138,858	22.93	170,861	27.08	207,429	35.78
	30°	—	—	—	—	185,719	28.24	224,987	37.42
	45°	—	—	—	—	—	—	—	—

¹ KW is for unit.

— Consult factory.

NOTE: High Temp. units running at 0° and -10°F SST will require Aux. Cooling Fans. Consult factory.

R404a - High Temp.		Unit Model Numbers			
		DD30H4	DD40H4	DD50H4	DD60H4
Compressor Model Number		3DS3-1500 (2)	4DA3-2000 (2)	4DH3-2500 (2)	4DJ3-3000 (2)
Compressor Motor Protection		INHERENT			
Number of Cylinders		3	4	4	4
MCA †	208/230 V	85.0	93.0	118.1	132.8
	460 V	41.3	47.0	59.4	66.1
RLA / LRA per compressor	208/230 V	59.6 / 275.0	66.6 / 308.0	82.2 / 428.0	94.0 / 470.0
	460 V	29.0 / 138.0	33.3 / 154.0	41.4 / 214.0	47.0 / 235.0
Number of Condenser Fan Motors		4	4	6	6
Size of Motor / Size of Blade		1 HP - 28"	1 HP - 28"	1 HP - 28"	1 HP - 28"
Condenser Fan Motor Amps Each	208/230 V	4.6	4.6	4.6	4.6
	460 V	2.3	2.3	2.3	2.3
Receiver Size		8 5/8" x 60"	8 5/8" x 60" (2)	8 5/8" x 60" (2)	10 3/4" x 60" (2)
Receiver Capacity 80% Full**		94 lbs.	94 lbs.	94 lbs.	144 lbs.
Unit Operating Charge (approx.) †	Standard*	72 lbs.	75 lbs.	88 lbs.	120 lbs.
	w/Flood Control*	134 lbs.	132 lbs.	161 lbs.	211 lbs.
Compressor Suction Connection - ODS		1 5/8"	1 5/8" (2)	2 1/8" (2)	2 1/8" (2)
Liquid Line Connection - ODS		7/8"	7/8" (2)	7/8" (2)	1 1/8" (2)
Unit Shipping Weight (approx.)		2,701 lbs.	2,970 lbs.	3,220 lbs.	3,470 lbs.

* Based on 100 feet of equivalent refrigerant line piping. (Does not include the evaporator.)

** Based on 80% full at 90°F ambient.

† DS and DM models are per unit. DD models are per circuit.

Ambient Temp. °F	Suction Temp. °F	Unit Model Numbers							
		DD30H4		DD40H4		DD50H4		DD60H4	
		Capacity	KW ¹	Capacity	KW ¹	Capacity	KW ¹	Capacity	KW ¹
85°	-10°	161,211	25.38	164,832	25.74	212,988	34.67	255,687	39.50
	0°	196,153	28.02	205,726	28.64	264,737	38.21	317,487	44.23
	10°	239,002	30.65	254,029	31.36	325,154	41.70	391,699	48.85
	20°	289,293	33.39	310,035	33.98	393,937	45.23	477,663	53.50
	25°	317,065	34.80	340,210	35.31	431,566	47.03	525,097	55.87
	30°	346,482	36.28	372,635	36.61	470,878	48.88	575,001	58.29
	45°	443,004	41.13	477,950	40.72	598,950	54.84	739,732	66.00
95°	-10°	151,441	26.07	149,293	26.00	195,663	35.51	236,278	40.52
	0°	181,127	29.03	185,260	29.29	241,548	39.48	290,262	45.77
	10°	218,169	31.96	228,155	32.37	295,333	43.34	355,584	50.86
	20°	262,295	34.93	277,734	35.32	356,643	47.21	432,078	55.91
	25°	286,825	36.47	304,700	36.79	389,898	49.18	474,301	58.45
	30°	312,428	38.07	333,300	38.25	425,010	51.18	518,477	61.07
	45°	397,363	43.26	426,424	42.79	538,056	57.60	663,946	69.28
105°	-10°	142,475	26.54	133,788	25.93	177,971	36.01	217,310	41.06
	0°	166,275	29.85	164,644	29.67	217,570	40.45	262,843	46.90
	10°	197,361	33.08	201,607	33.14	264,518	44.72	319,219	52.49
	20°	234,825	36.35	244,812	36.46	317,754	48.99	385,462	58.00
	25°	255,701	38.03	268,174	38.10	346,936	51.13	421,686	60.79
	30°	277,678	39.76	193,157	39.72	377,366	53.32	460,521	63.57
	45°	350,372	45.33	373,431	44.74	474,806	60.26	586,887	72.36
115°	-10°	134,336	26.74	118,388	25.53	159,908	36.16	198,907	41.10
	0°	151,847	30.45	143,472	29.76	192,901	41.12	235,253	47.61
	10°	176,332	34.04	174,403	33.68	232,400	45.87	281,654	53.79
	20°	206,678	37.64	210,634	37.40	277,766	50.55	337,165	59.82
	25°	—	—	230,864	39.22	302,261	52.91	367,845	62.84
	30°	—	—	251,521	41.04	327,634	55.31	400,452	65.87
	45°	—	—	—	—	—	—	—	—

¹ KW is for unit.

— Consult factory.

NOTE: High Temp. units running at 0° and -10°F SST will require Aux. Cooling Fans. Consult factory.

R404a - High Temp.		Unit Model Numbers			
		DD70H4	DD80H4	DM45H4	DM60H4
Compressor Model Number		6DH3-3500 (2)	6DJ3-4000 (2)	3DS3-1500 (3)	4DA3-2000 (3)
Compressor Motor Protection		INHERENT			
Number of Cylinders		6	6	3	4
MCA †	208/230 V	170.2	*** See Note Below	221.3	244.1
	460 V	85.2	98.4	108.1	122.0
RLA / LRA per compressor	208/230 V	125.1 / 565.0	*** See Note Below	59.6 / 275.0	66.6 / 308.0
	460 V	62.6 / 283.0	71.0 / 297.0	29.0 / 138.0	33.3 / 154.0
Number of Condenser Fan Motors		6	8	6	6
Size of Motor / Size of Blade		1 HP - 28"	1 HP - 28"	1 HP - 28"	1 HP - 28"
Condenser Fan Motor Amps Each	208/230 V	4.6	4.6	4.6	4.6
	460 V	2.3	2.3	2.3	2.3
Receiver Size		10 3/4" x 60" (2)	12 3/4" x 60" (2)	14" x 72" (2)	14" x 72"
Receiver Capacity 80% Full**		144 lbs.	191 lbs.	294 lbs.	294 lbs.
Unit Operating Charge (approx.) †	Standard*	133 lbs.	154 lbs.	304 lbs.	310 lbs.
	w/Flood Control*	236 lbs.	236 lbs.	447 lbs.	453 lbs.
Compressor Suction Connection - ODS		2 1/8" (2)	2 1/8" (2)	2 5/8"	3 1/8"
Liquid Line Connection - ODS		1 1/8" (2)	1 1/8" (2)	1 3/8"	1 3/8"
Unit Shipping Weight (approx.)		4,620 lbs.	4,860 lbs.	5,450 lbs.	5,858 lbs.

* Based on 100 feet of equivalent refrigerant line piping. (Does not include the evaporator.)

*** Voltage MCA RLA LRA

** Based on 80% full at 90°F ambient.

208v 233 170 660

† DS and DM models are per unit. DD models are per circuit.

230v 215 141 575

Ambient Temp. °F	Suction Temp. °F	Unit Model Numbers							
		DD70H4		DD80H4		DM45H4		DM60H4	
		Capacity	KW ¹	Capacity	KW ¹	Capacity	KW ¹	Capacity	KW ¹
85°	-10°	323,064	48.34	383,496	60.57	243,503	37.80	247,895	38.58
	0°	395,611	54.43	467,500	67.66	297,836	41.61	309,661	42.89
	10°	483,610	60.25	566,325	74.82	364,510	45.38	383,293	46.91
	20°	586,704	65.99	678,737	82.27	443,818	49.21	467,722	50.80
	25°	643,290	68.90	740,226	86.15	487,297	51.23	513,925	52.74
	30°	702,792	71.86	803,775	90.24	534,051	53.29	563,012	54.67
	45°	898,596	81.22	1,010,300	103.70	689,237	60.04	723,259	60.72
95°	-10°	298,296	49.37	351,765	61.92	228,769	38.93	224,624	38.99
	0°	360,868	56.19	425,694	69.82	275,123	43.21	279,184	43.89
	10°	438,347	62.64	513,343	77.70	333,601	47.40	344,226	48.46
	20°	528,843	68.99	613,230	85.84	403,329	51.64	419,729	52.83
	25°	579,176	72.15	667,245	90.08	442,035	53.83	460,582	55.01
	30°	631,525	75.39	723,586	94.49	483,202	56.10	504,392	57.15
	45°	804,581	85.44	904,453	108.95	620,108	63.42	645,900	63.87
105°	-10°	274,804	49.75	320,515	62.67	215,060	39.70	201,496	38.91
	0°	326,755	57.39	383,798	71.47	252,784	44.52	248,002	44.49
	10°	392,475	64.58	459,187	80.18	302,185	49.19	304,572	49.65
	20°	470,213	71.58	545,683	89.10	361,765	53.90	370,025	54.57
	25°	513,790	75.04	592,156	93.73	395,382	56.29	405,908	56.99
	30°	559,220	78.55	641,070	98.49	431,218	58.74	443,511	59.42
	45°	—	—	—	—	549,690	66.67	566,952	66.81
115°	-10°	252,616	49.43	288,935	62.83	202,648	40.08	178,173	38.32
	0°	292,903	58.02	341,037	72.62	231,062	45.51	216,324	44.64
	10°	346,313	66.04	403,825	82.26	270,401	50.73	263,591	50.48
	20°	411,121	73.75	—	—	319,865	55.91	319,000	56.01
	25°	446,797	77.59	—	—	347,802	58.55	349,746	58.71
	30°	—	—	—	—	377,902	61.23	381,765	61.40
	45°	—	—	—	—	—	—	—	—

¹ KW is for unit.

— Consult factory.

NOTE: High Temp. units running at 0° and -10°F SST will require Aux. Cooling Fans. Consult factory.

R404a - High Temp.		Unit Model Numbers			
		DM75H4	DM90H4	DM105H4	DM120H4
Compressor Model Number		4DH3-2500 (3)	4DJ3-3000 (3)	6DH3-3500 (3)	6DJ3-4000 (3)
Compressor Motor Protection		INHERENT			
Number of Cylinders		4	4	6	6
MCA †	208/230 V	304.0	342.3	443.4	*** See note below
	460 V	152.0	171.2	221.9	258.4
RLA / LRA per compressor	208/230 V	82.2 / 428.0	94.0 / 470.0	125.1 / 565.0	*** See note below
	460 V	41.1 / 214.0	47.0 / 235.0	62.6 / 283.0	71.0 / 270.0
Number of Condenser Fan Motors		8	8	8	12
Size of Motor / Size of Blade		1 HP - 28"	1 HP - 28"	1 HP - 28"	1 HP - 28"
Condenser Fan Motor Amps Each	208/230 V	4.6	4.6	4.6	4.6
	460 V	2.3	2.3	2.3	2.3
Receiver Size		14" x 72"	14" x 96"	16" x 96"	16" x 96"
Receiver Capacity 80% Full**		294 lbs.	395 lbs.	522 lbs.	522 lbs.
Unit Operating Charge (approx.) †	Standard*	381 lbs.	443 lbs.	616 lbs.	690 lbs.
	w/Flood Control*	571 lbs.	666 lbs.	992 lbs.	972 lbs.
Compressor Suction Connection - ODS		3 1/8"	3 5/8"	3 5/8"	3 5/8"
Liquid Line Connection - ODS		1 5/8"	1 5/8"	1 5/8"	2 1/8"
Unit Shipping Weight (approx.)		6,514 lbs.	6,844 lbs.	8,820 lbs.	9,019 lbs.

* Based on 100 feet of equivalent refrigerant line piping. (Does not include the evaporator.)
 ** Based on 80% full at 90°F ambient.
 † DS and DM models are per unit. DD models are per circuit.

*** Voltage	MCA	RLA	LRA
208v	542.7	150	754
230v	516.7	142	594

Ambient Temp. °F	Suction Temp. °F	Unit Model Numbers							
		DM75H4		DM90H4		DM105H4		DM120H4	
		Capacity	KW ¹	Capacity	KW ¹	Capacity	KW ¹	Capacity	KW ¹
85°	-10°	321,785	50.69	382,535	58.25	489,089	71.01	582,449	90.25
	0°	400,683	55.87	474,096	65.44	601,588	79.82	712,560	100.49
	10°	493,257	60.94	584,293	72.46	738,519	88.18	867,135	110.68
	20°	600,010	65.99	712,162	79.50	898,975	96.37	1,045,012	121.15
	25°	658,089	68.58	781,857	83.12	988,181	100.46	1,142,055	126.66
	30°	719,262	71.24	856,299	86.79	1,082,473	104.61	1,243,723	132.40
	45°	920,113	79.72	1,098,401	98.59	1,395,078	117.68	1,578,482	151.10
95°	-10°	295,850	52.03	353,408	59.74	451,859	72.75	534,982	92.49
	0°	366,082	57.85	433,379	67.69	549,409	82.67	651,026	103.91
	10°	449,157	63.47	530,797	75.36	669,838	92.02	788,688	115.23
	20°	544,081	69.08	643,873	83.03	812,954	101.08	946,773	136.86
	25°	596,373	71.90	705,473	86.95	891,980	105.61	1,033,494	132.84
	30°	650,578	74.82	770,891	90.92	975,780	110.18	1,124,641	139.05
	45°	829,191	84.00	985,054	103.43	1,253,752	124.37	1,420,169	159.34
105°	-10°	269,212	52.86	325,089	60.51	416,284	73.49	487,964	93.83
	0°	330,488	59.38	392,596	69.33	497,902	84.67	587,681	106.63
	10°	402,916	65.65	475,824	77.79	601,246	95.14	707,500	119.22
	20°	486,268	71.84	573,056	86.17	724,695	105.23	845,863	132.01
	25°	531,868	74.96	627,260	90.35	794,039	110.20	921,554	138.59
	30°	579,624	78.13	684,057	94.60	867,271	115.20	1,000,370	145.40
	45°	734,799	88.13	868,073	108.02	1,108,459	130.71	1,256,944	167.38
115°	-10°	242,294	53.15	297,482	60.54	382,676	73.20	440,648	94.27
	0°	293,599	60.46	351,123	70.35	446,996	85.81	523,453	108.58
	10°	354,787	67.45	419,911	79.68	531,902	97.52	624,349	122.58
	20°	426,006	74.30	501,023	88.83	635,550	108.72	742,085	136.66
	25°	464,819	77.73	546,078	93.39	694,003	114.23	805,813	143.91
	30°	505,051	81.23	—	—	—	—	—	—
	45°	—	—	—	—	—	—	—	—

¹ KW is for unit. — Consult factory.
 NOTE: High Temp. units running at 0° and -10°F SST will require Aux. Cooling Fans. Consult factory.

R404a - Low Temp.		Unit Model Numbers				
		DS03L4	DS04L4	DS06L4	DS07L4	DS08L4
Compressor Model Number		2DF3-0300	2DL3-0400	2DA3-0600	3DA3-0600	3DB3-0750
Compressor Motor Protection		INHERENT				
Number of Cylinders		2	2	2	3	3
MCA †	208/230 V	24.3	36.2	39.3	36.5	42.7
	460 V	11.6	14.3	14.3	16.7	21.6
RLA / LRA per compressor	208/230 V	16.8 / 102.0	26.3 / 161.0	28.8 / 161.0	26.5 / 150.0	31.5 / 161.0
	460 V	8.1 / 52.0	10.2 / 60.0	10.2 / 60.0	12.0 / 77.0	16.1 / 83.0
Number of Condenser Fan Motors		1	1	1	1	1
Size of Motor / Size of Blade		1/2 HP - 20"	1/2 HP - 20"	1/2 HP - 24"	1/2 HP - 24"	1/2 HP - 24"
Condenser Fan Motor Amps Each	208/230 V	2.2	2.2	2.2	2.2	2.2
	460 V	1.1	1.1	1.1	1.1	1.1
Receiver Size		6" x 28"	6" x 28"	6" x 36"	8 5/8" x 36"	8 5/8" x 36"
Receiver Capacity 80% Full**		20 lbs.	20 lbs.	28 lbs.	56 lbs.	56 lbs.
Unit Operating Charge (approx.) †	Standard*	19 lbs.	21 lbs.	30 lbs.	34 lbs.	37 lbs.
	w/Flood Control*	30 lbs.	30 lbs.	41 lbs.	76 lbs.	76 lbs.
Compressor Suction Connection - ODS		1 3/8"	1 3/8"	1 3/8"	1 3/8"	1 3/8"
Liquid Line Connection - ODS		1/2"	1/2"	5/8"	5/8"	5/8"
Unit Shipping Weight (approx.)		1,080 lbs.	1,140 lbs.	1,310 lbs.	1,460 lbs.	1,460 lbs.

* Based on 100 feet of equivalent refrigerant line piping. (Does not include the evaporator.)

** Based on 80% full at 90°F ambient.

† DS and DM models are per unit. DD models are per circuit.

Ambient Temp. °F	Suction Temp. °F	Unit Model Numbers									
		DS03L4		DS04L4		DS06L4		DS07L4		DS08L4	
		Capacity	KW ¹	Capacity	KW ¹	Capacity	KW ¹	Capacity	KW ¹	Capacity	KW ¹
85°	-40°	11,847	3.06	14,379	3.45	17,421	3.91	21,054	4.62	24,778	5.37
	-30°	16,144	3.63	19,334	4.06	23,249	4.58	28,287	5.42	32,891	6.33
	-20°	21,321	4.18	25,216	4.68	30,271	5.24	36,902	6.19	42,663	7.29
	-10°	27,381	4.71	32,033	5.33	38,465	5.93	46,963	6.97	54,083	8.30
	0°	34,312	5.25	39,683	6.03	47,879	6.65	58,575	7.78	67,136	9.39
95°	-40°	10,352	3.00	12,816	3.41	15,680	3.91	18,756	4.58	22,593	5.41
	-30°	14,255	3.63	17,253	4.08	20,978	4.64	25,496	5.48	29,993	6.46
	-20°	18,981	4.22	22,560	4.74	27,347	5.36	33,523	6.35	38,873	7.52
	-10°	24,500	4.79	28,683	5.44	34,804	6.09	42,865	7.22	49,245	8.62
	0°	30,768	5.36	35,461	6.18	43,303	6.86	53,562	8.14	61,042	9.79
105°	-40°	8,838	2.89	11,213	3.34	13,897	3.85	16,373	4.48	20,311	5.37
	-30°	12,341	3.58	15,124	4.06	18,616	4.65	22,597	5.49	26,949	6.54
	-20°	16,576	4.22	19,809	4.78	24,308	5.43	29,975	6.47	34,917	7.70
	-10°	21,526	4.84	25,177	5.52	30,937	6.23	38,532	7.44	44,207	8.89
	0°	27,134	5.45	31,113	5.76	38,518	7.05	48,317	8.45	54,692	10.16
115°	-40°	7,308	2.72	9,581	3.22	12,063	3.74	13,870	4.30	17,982	5.27
	-30°	10,378	3.48	12,941	4.01	16,162	4.62	19,569	5.44	23,798	6.55
	-20°	14,105	4.18	16,971	4.79	21,121	5.47	26,255	6.53	30,790	7.82
	-10°	18,451	4.30	21,540	5.03	26,931	6.33	33,982	7.62	38,880	9.12
	0°	23,374	4.95	—	—	33,489	7.21	42,246	8.74	—	—

¹ KW is for unit.

— Consult factory.

R404a - Low Temp.		Unit Model Numbers			
		DS09L4	DS10L4	DS11L4	DS15L4
Compressor Model Number		3DF3-0900	3DS3-1000	4DA3-1010	4DL3-1500
Compressor Motor Protection		INHERENT			
Number of Cylinders		3	3	4	4
MCA †	208/230 V	54.5	58.2	58.2	71.5
	460 V	23.8	26.0	29.1	35.5
RLA / LRA per compressor	208/230 V	39.0 / 215.0	42.0 / 215.0	45.2 / 240.0	52.6 / 278.0
	460 V	16.9 / 106.0	18.6 / 106.0	21.0 / 120.0	26.3 / 139.0
Number of Condenser Fan Motors		1	1	1	2
Size of Motor / Size of Blade		1 HP - 28"	1 HP - 28"	1 HP - 28"	1/2 HP - 24"
Condenser Fan Motor Amps Each	208/230 V	4.6	4.6	4.6	2.2
	460 V	2.3	2.3	2.3	1.1
Receiver Size		8 5/8" x 36"	8 5/8" x 36"	8 5/8" x 36"	8 5/8" x 60"
Receiver Capacity 80% Full**		56 lbs.	56 lbs.	56 lbs.	94 lbs.
Unit Operating Charge (approx.) †	Standard*	42 lbs.	44 lbs.	51 lbs.	68 lbs.
	w/Flood Control*	82 lbs.	82 lbs.	91 lbs.	127 lbs.
Compressor Suction Connection - ODS		1 3/8"	1 3/8"	1 5/8"	1 55/8"
Liquid Line Connection - ODS		5/8"	5/8"	5/8"	7/8"
Unit Shipping Weight (approx.)		1,562 lbs.	1,572 lbs.	1,688 lbs.	1,821 lbs.

* Based on 100 feet of equivalent refrigerant line piping. (Does not include the evaporator.)

** Based on 80% full at 90°F ambient.

† DS and DM models are per unit. DD models are per circuit.

Ambient Temp. °F	Suction Temp. °F	Unit Model Numbers							
		DS09L4		DS10L4		DS11L4		DS15L4	
		Capacity	KW ¹	Capacity	KW ¹	Capacity	KW ¹	Capacity	KW ¹
85°	-40°	30,249	6.88	34,456	7.61	35,262	7.73	47,173	10.20
	-30°	40,188	8.01	45,555	8.93	47,544	9.21	62,684	12.03
	-20°	52,267	9.18	58,680	10.28	61,806	10.60	80,439	13.81
	-10°	66,508	10.44	73,898	11.71	78,091	11.95	100,509	15.62
	0°	82,901	11.85	91,177	13.25	96,462	13.31	122,813	17.51
95°	-40°	27,579	6.96	31,380	7.66	31,270	7.59	42,752	10.25
	-30°	36,678	8.19	41,552	9.12	42,747	9.27	57,100	12.28
	-20°	47,766	9.47	53,576	10.58	55,948	10.84	73,364	14.25
	-10°	60,773	10.84	67,435	12.12	70,909	12.37	91,483	16.23
	0°	75,720	12.35	82,996	13.77	87,701	13.92	111,445	18.29
105°	-40°	24,859	6.96	28,167	7.63	26,975	7.31	37,932	10.15
	-30°	33,067	8.32	37,356	9.22	37,603	9.20	51,010	12.40
	-20°	43,072	9.71	48,182	10.82	49,694	10.98	65,656	14.57
	-10°	54,826	11.20	60,501	12.48	63,290	12.71	81,851	16.74
	0°	68,259	12.82	74,376	14.25	78,369	14.46	99,440	18.97
115°	-40°	22,070	6.89	24,786	7.50	22,440	6.89	32,724	9.89
	-30°	29,338	8.39	32,890	9.24	32,137	9.02	44,453	12.38
	-20°	38,186	9.91	42,451	10.99	43,052	11.02	57,404	14.78
	-10°	48,562	11.52	53,270	12.78	55,184	12.97	71,529	17.16
	0°	60,356	13.27	—	—	68,423	14.93	—	—

¹ KW is for unit.

— Consult factory.

R404a - Low Temp.		Unit Model Numbers			
		DS22L4	DS27L4	DS30L4	DD12L4
Compressor Model Number		4DT3-2200	6DL3-2700	6DT3-3000	2DA3-0600 (2)
Compressor Motor Protection		INHERENT			
Number of Cylinders		4	6	6	2
MCA †	208/230 V	93.0	116.3	134.8	39.3
	460 V	46.3	57.8	67.1	14.3
RLA / LRA per compressor	208/230 V	66.0 / 374.0	80.8 / 436.0	95.6 / 470.0	28.8 / 161.0
	460 V	33.0 / 187.0	40.4 / 218.0	47.8 / 235.0	10.2 / 60.0
Number of Condenser Fan Motors		2	3	3	2
Size of Motor / Size of Blade		1 HP - 28"	1 HP - 28"	1 HP - 28"	1/2 HP - 24"
Condenser Fan Motor Amps Each	208/230 V	4.6	4.6	4.6	2.2
	460 V	2.3	2.3	2.3	1.1
Receiver Size		8 5/8" x 60"	8 5/8" x 60"	10 3/4" x 60"	6" x 36" (2)
Receiver Capacity 80% Full**		94 lbs.	94 lbs.	144 lbs.	28 lbs.
Unit Operating Charge (approx.) †	Standard*	80 lbs.	93 lbs.	125 lbs.	30 lbs.
	w/Flood Control*	136 lbs.	147 lbs.	215 lbs.	40 lbs.
Compressor Suction Connection - ODS		2 1/8"	2 1/8"	2 1/8"	1 3/8" (2)
Liquid Line Connection - ODS		7/8"	7/8"	7/8"	5/8" (2)
Unit Shipping Weight (approx.)		2,073 lbs.	2,459 lbs.	2,616 lbs.	2,596 lbs.

* Based on 100 feet of equivalent refrigerant line piping. (Does not include the evaporator.)

** Based on 80% full at 90°F ambient.

† DS and DM models are per unit. DD models are per circuit.

Ambient Temp. °F	Suction Temp. °F	Unit Model Numbers							
		DS22L4		DS27L4		DS30L4		DD12L4	
		Capacity	KW ¹	Capacity	KW ¹	Capacity	KW ¹	Capacity	KW ¹
85°	-40°	56,717	12.74	69,319	16.34	79,797	18.99	34,635	7.82
	-30°	75,461	14.96	93,555	19.17	105,713	22.26	46,155	9.17
	-20°	96,996	17.13	121,841	21.96	136,941	25.60	59,969	10.52
	-10°	121,467	19.33	154,418	24.82	173,450	29.14	76,148	11.91
	0°	148,694	21.62	191,424	27.85	215,341	32.99	94,532	13.39
95°	-40°	50,903	12.69	61,494	16.17	72,167	19.00	31,173	7.81
	-30°	68,155	15.15	84,320	19.34	95,794	22.61	41,608	9.28
	-20°	87,942	17.54	110,747	22.46	124,062	26.26	54,135	10.74
	-10°	110,029	19.94	140,987	25.63	157,234	30.10	68,730	12.23
	0°	134,414	22.43	175,107	28.99	195,178	34.25	85,298	13.80
105°	-40°	44,674	12.46	53,195	15.78	64,268	18.80	27,613	7.69
	-30°	60,402	15.18	74,514	19.32	85,335	22.77	36,850	9.30
	-20°	78,119	17.81	98,952	22.79	110,740	26.77	48,022	10.88
	-10°	97,809	20.44	126,724	26.32	140,354	30.93	61,042	12.48
	0°	119,361	23.14	157,714	30.04	173,834	35.41	75,660	14.15
115°	-40°	37,940	12.04	44,369	15.16	56,167	18.30	23,930	7.47
	-30°	51,982	15.05	64,091	19.10	74,474	22.75	31,963	9.23
	-20°	67,721	17.94	86,500	22.96	96,624	27.12	41,712	10.95
	-10°	84,897	20.82	111,558	26.88	122,501	31.65	52,940	12.67
	0°	103,273	23.76	139,458	30.97	151,479	36.49	65,581	14.46

¹ KW is for unit.

— Consult factory.

R404a - Low Temp.		Unit Model Numbers			
		DD14L4	DD16L4	DD18L4	DD20L4
Compressor Model Number		3DA3-0600 (2)	3DB3-0750 (2)	3DF3-0900 (2)	3DS3-1000 (2)
Compressor Motor Protection		INHERENT			
Number of Cylinders		3	3	3	3
MCA †	208/230 V	36.5	42.7	54.5	58.2
	460 V	16.7	21.6	23.8	26.0
RLA / LRA per compressor	208/230 V	36.5 / 150.0	34.5 / 161.0	39.0 / 215.0	42.0 / 215.0
	460 V	12.0 / 77.0	16.1 / 83.0	16.9 / 106.0	18.6 / 106.0
Number of Condenser Fan Motors		2	2	2	4
Size of Motor / Size of Blade		1/2 HP - 24"	1/2 HP - 24"	1 HP - 28"	1/2 HP - 24"
Condenser Fan Motor Amps Each	208/230 V	2.2	2.2	4.6	2.2
	460 V	1.1	1.1	2.3	1.1
Receiver Size		8 5/8" x 36" (2)	8 5/8" x 36" (2)	8 5/8" x 36" (2)	8 5/8" x 36" (2)
Receiver Capacity 80% Full**		56 lbs.	56 lbs.	56 lbs.	56 lbs.
Unit Operating Charge (approx.) †	Standard*	37 lbs.	34 lbs.	42 lbs.	44 lbs.
	w/Flood Control*	74 lbs.	74 lbs.	88 lbs.	77 lbs.
Compressor Suction Connection - ODS		1 3/8" (2)	1 3/8" (2)	1 3/8" (2)	1 3/8" (2)
Liquid Line Connection - ODS		5/8" (2)	5/8" (2)	5/8" (2)	5/8" (2)
Unit Shipping Weight (approx.)		2,848 lbs.	2,861 lbs.	2,991 lbs.	3,177 lbs.

* Based on 100 feet of equivalent refrigerant line piping. (Does not include the evaporator.)

** Based on 80% full at 90°F ambient.

† DS and DM models are per unit. DD models are per circuit.

Ambient Temp. °F	Suction Temp. °F	Unit Model Numbers							
		DD14L4		DD16L4		DD18L4		DD20L4	
		Capacity	KW ¹	Capacity	KW ¹	Capacity	KW ¹	Capacity	KW ¹
85°	-40°	41,437	9.23	49,219	10.75	59,923	13.80	69,126	15.21
	-30°	55,583	10.88	65,242	12.70	79,476	16.10	91,426	17.84
	-20°	72,306	12.49	84,457	14.66	103,040	18.51	117,926	20.51
	-10°	91,805	14.14	106,717	16.75	130,662	21.14	148,736	23.32
	0°	114,046	15.90	132,106	19.00	162,276	24.07	183,754	26.36
95°	-40°	36,833	9.13	44,840	10.81	54,571	13.92	63,002	15.33
	-30°	49,981	10.98	59,383	12.95	72,442	16.44	83,555	18.21
	-20°	65,507	12.78	76,816	15.10	93,927	19.06	107,740	21.13
	-10°	83,475	14.62	97,032	17.35	119,111	21.89	135,801	24.16
	0°	103,777	16.56	119,869	19.77	147,831	25.03	167,500	27.42
105°	-40°	32,053	8.90	40,294	10.73	49,112	13.91	56,580	15.26
	-30°	44,110	10.97	53,273	13.09	65,100	16.67	75,126	18.43
	-20°	58,329	12.98	68,887	15.44	84,477	19.53	96,983	21.60
	-10°	74,696	15.02	86,788	17.88	107,032	22.58	122,117	24.89
	0°	93,071	17.16	107,014	20.48	132,607	25.95	150,260	28.39
115°	-40°	27,066	8.54	35,606	10.51	43,589	13.75	49,801	15.01
	-30°	38,059	10.84	46,980	13.10	57,635	16.78	66,248	18.49
	-20°	50,851	13.08	60,500	15.68	74,612	19.89	85,553	21.95
	-10°	65,500	15.34	76,163	18.32	94,472	23.19	107,619	25.51
	0°	81,823	17.70	—	—	—	—	132,097	29.29

¹ KW is for unit.

— Consult factory.

R404a - Low Temp.		Unit Model Numbers				
		DD22L4	DD30L4	DD44L4	DD54L4	DD60L4
Compressor Model Number		4DA3-1010 (2)	4DL3-1500 (2)	4DT3-2200 (2)	6DL3-2700 (2)	6DT3-3000 (2)
Compressor Motor Protection		INHERENT				
Number of Cylinders		4	4	4	6	6
MCA †	208/230 V	58.2	71.5	93.0	116.3	134.8
	460 V	29.1	35.5	46.3	57.8	67.2
RLA / LRA per compressor	208/230 V	42.0 / 240.0	52.6 / 278.0	66.0 / 374.0	80.8 / 436.0	95.6 / 470.0
	460 V	21.0 / 120.0	26.3 / 139.0	33.0 / 187.0	40.4 / 218.0	47.8 / 235.0
Number of Condenser Fan Motors		4	4	4	6	6
Size of Motor / Size of Blade		1/2 HP - 24"	1/2 HP - 24"	1 HP - 28"	1 HP - 28"	1 HP - 28"
Condenser Fan Motor Amps Each	208/230 V	2.2	2.2	4.6	4.6	4.6
	460 V	1.1	1.1	2.3	2.3	2.3
Receiver Size		8 5/8" x 36" (2)	8 5/8" x 60" (2)	8 5/8" x 60" (2)	8 5/8" x 60" (2)	10 3/4" x 60" (2)
Receiver Capacity 80% Full**		56 lbs.	94 lbs.	94 lbs.	94 lbs.	144 lbs.
Unit Operating Charge (approx.) †	Standard*	51 lbs.	68 lbs.	80 lbs.	93 lbs.	125 lbs.
	w/Flood Control*	86 lbs.	124 lbs.	134 lbs.	148 lbs.	211 lbs.
Compressor Suction Connection - ODS		1 5/8" (2)	1 5/8" (2)	2 1/8" (2)	2 1/8" (2)	2 1/8" (2)
Liquid Line Connection - ODS		5/8" (2)	7/8" (2)	7/8" (2)	7/8" (2)	7/8" (2)
Unit Shipping Weight (approx.)		3,434 lbs.	3,499 lbs.	3,811 lbs.	4,345 lbs.	5,277 lbs.

* Based on 100 feet of equivalent refrigerant line piping. (Does not include the evaporator.)

** Based on 80% full at 90°F ambient.

† DS and DM models are per unit. DD models are per circuit.

Ambient Temp. °F	Suction Temp. °F	Unit Model Numbers									
		DD22L4		DD30L4		DD44L4		DD54L4		DD60L4	
		Capacity	KW ¹	Capacity	KW ¹	Capacity	KW ¹	Capacity	KW ¹	Capacity	KW ¹
85°	-40°	70,525	15.47	94,478	20.39	112,639	25.49	137,564	32.67	159,998	37.96
	-30°	95,089	18.42	125,476	24.04	149,629	29.99	185,504	38.41	212,259	44.46
	-20°	123,612	21.19	161,161	27.60	192,149	34.40	241,118	44.12	274,956	51.10
	-10°	156,181	23.89	201,482	31.19	239,943	38.90	305,184	50.00	348,796	58.10
	0°	192,925	26.63	246,245	34.94	293,147	43.61	377,652	56.28	433,545	65.72
95°	-40°	62,539	15.18	85,660	20.50	101,007	25.35	121,760	32.28	144,851	38.02
	-30°	85,494	18.53	114,395	24.55	135,060	30.32	166,790	38.70	192,307	45.18
	-20°	111,975	21.68	147,068	28.47	173,848	35.17	218,788	45.05	249,617	52.43
	-10°	141,979	24.74	183,608	32.41	217,024	40.07	277,940	51.56	316,608	60.04
	0°	175,402	27.83	223,883	36.49	264,372	45.16	344,444	58.50	393,113	68.28
105°	-40°	53,950	14.62	76,045	20.30	88,420	24.85	105,140	31.46	129,034	37.63
	-30°	75,287	18.41	102,245	24.79	119,363	30.34	147,075	38.61	171,564	45.54
	-20°	99,389	21.97	131,712	29.12	154,120	35.67	195,166	45.66	222,842	53.48
	-10°	126,581	25.43	164,362	33.45	192,439	41.02	249,401	52.86	282,852	61.74
	0°	156,738	28.91	199,824	37.89	233,788	46.54	309,537	60.50	350,754	70.62
115°	-40°	44,879	13.78	65,567	19.79	74,940	24.00	87,542	30.20	112,758	36.80
	-30°	64,274	18.03	89,163	24.76	102,466	30.05	126,165	38.14	149,930	45.51
	-20°	86,217	22.04	115,323	29.54	133,204	35.90	169,919	45.95	194,855	54.21
	-10°	110,369	25.94	143,712	34.29	166,193	41.74	218,901	53.91	247,084	63.21
	0°	137,016	29.84	—	—	—	—	—	—	306,388	72.78

¹ KW is for unit.

— Consult factory.

R404a - Low Temp.		Unit Model Numbers			
		DM45L4	DM66L4	DM81L4	DM90L4
Compressor Model Number		4DL3-1500 (3)	4DT3-2200 (3)	6DL3-2700 (3)	6DT3-3000 (3)
Compressor Motor Protection		INHERENT			
Number of Cylinders		4	4	6	6
MCA †	208/230 V	198.6	242.1	290.2	338.3
	460 V	99.3	121.1	145.1	169.2
RLA / LRA per compressor	208/230 V	52.6 / 278.0	66.0 / 374.0	80.8 / 436.0	95.6 / 470.0
	460 V	26.3 / 139.0	33.0 / 187.0	40.4 / 218.0	47.8 / 235.0
Number of Condenser Fan Motors		6	6	6	6
Size of Motor / Size of Blade		1 HP - 28"	1 HP - 28"	1 HP - 28"	1 HP - 28"
Condenser Fan Motor Amps Each	208/230 V	4.6	4.6	4.6	4.6
	460 V	2.3	2.3	2.3	2.3
Receiver Size		14" x 72"	14" x 72"	14" x 96"	14" x 96"
Receiver Capacity 80% Full**		294 lbs.	294 lbs.	386 lbs.	386 lbs.
Unit Operating Charge (approx.) †	Standard*	195 lbs.	213 lbs.	266 lbs.	317 lbs.
	w/Flood Control*	290 lbs.	308 lbs.	409 lbs.	507 lbs.
Compressor Suction Connection - ODS		3 1/8"	3 1/8"	3 5/8"	3 5/8"
Liquid Line Connection - ODS		1 1/8"	1 1/8"	1 3/8"	1 3/8"
Unit Shipping Weight (approx.)		5,481 lbs.	5,807 lbs.	6,314 lbs.	6,476 lbs.

* Based on 100 feet of equivalent refrigerant line piping. (Does not include the evaporator.)

** Based on 80% full at 90°F ambient.

† DS and DM models are per unit. DD models are per circuit.

Ambient Temp. °F	Suction Temp. °F	Unit Model Numbers							
		DM45L4		DM66L4		DM81L4		DM90L4	
		Capacity	KW ¹	Capacity	KW ¹	Capacity	KW ¹	Capacity	KW ¹
85°	-40°	140,451	33.94	167,921	38.23	204,309	45.66	235,116	53.73
	-30°	186,119	39.54	222,806	45.05	275,206	54.42	310,236	63.88
	-20°	238,487	45.04	285,532	51.79	357,512	63.17	399,779	74.36
	-10°	296,944	50.65	356,006	58.67	451,647	72.25	503,324	85.58
	0°	361,615	56.52	433,668	65.89	557,493	82.04	620,356	97.95
95°	-40°	127,044	34.03	150,291	37.98	180,503	45.01	212,223	53.63
	-30°	169,192	40.21	200,767	45.50	247,031	54.76	280,247	64.74
	-20°	216,866	46.26	257,837	52.87	323,856	64.46	360,950	76.12
	-10°	269,570	52.38	321,111	60.35	410,368	74.50	454,064	88.22
	0°	327,065	58.75	390,169	68.15	506,733	85.26	558,059	101.46
105°	-40°	112,526	33.67	131,374	37.20	155,526	43.73	188,560	52.88
	-30°	150,762	40.50	177,113	45.49	217,287	54.55	248,696	65.06
	-20°	193,470	47.16	228,163	53.57	287,860	65.29	320,325	77.45
	-10°	240,377	53.83	284,071	61.71	367,019	76.34	402,407	90.50
	0°	290,446	60.74	343,847	70.15	454,129	88.13	492,975	104.71
115°	-40°	96,642	32.87	111,216	35.90	129,192	41.79	164,082	51.47
	-30°	130,900	40.40	151,711	45.01	186,171	53.79	216,001	64.83
	-20°	168,686	47.70	196,381	53.87	250,156	65.65	278,041	78.32
	-10°	209,176	55.00	244,941	62.73	321,323	77.81	348,374	92.43
	0°	251,762	62.49	—	—	—	—	—	—

¹ KW is for unit.

— Consult factory.

R22 - High Temp.		Unit Model Numbers			
		DS05H2	DS08H2	DS09H2	DS10H2
Compressor Model Number		2DD3-0500	2DA3-0750	3DA3-0750	3DB3-1000
Compressor Motor Protection		INHERENT			
Number of Cylinders		2	2	3	3
MCA †	208/230 V	30.6	45.7	58.6	60.9
	460 V	15.0	20.6	28.3	29.2
RLA / LRA per compressor	208/230 V	22.3 / 120.0	32.0 / 169.0	41.0 / 215.0	43.6 / 215.0
	460 V	10.5 / 60.0	14.1 / 85.0	20.0 / 106.0	20.0 / 106.0
Number of Condenser Fan Motors		1	1	1	2
Size of Motor / Size of Blade		1/2 HP - 24"	1 HP - 28"	1 HP - 28"	1/2 HP - 24"
Condenser Fan Motor Amps Each	208/230 V	2.2	4.6	4.6	2.2
	460 V	1.1	2.3	2.3	1.1
Receiver Size		6" x 36"	8 5/8" x 36"	8 5/8" x 42"	8 5/8" x 42"
Receiver Capacity 80% Full**		30 lbs.	61 lbs.	72 lbs.	72 lbs.
Unit Operating Charge (approx.) †	Standard*	29 lbs.	37 lbs.	49 lbs.	61 lbs.
	w/Flood Control*	44 lbs.	71 lbs.	88 lbs.	104 lbs.
Compressor Suction Connection - ODS		1 3/8"	1 3/8"	1 3/8"	1 3/8"
Liquid Line Connection - ODS		5/8"	5/8"	7/8"	7/8"
Unit Shipping Weight (approx.)		1,295 lbs.	1,471 lbs.	1,566 lbs.	1,693 lbs.

* Based on 100 feet of equivalent refrigerant line piping. (Does not include the evaporator.)

** Based on 80% full at 90°F ambient.

† DS and DM models are per unit. DD models are per circuit.

Ambient Temp. °F	Suction Temp. °F	Unit Model Numbers							
		DS05H2		DS08H2		DS09H2		DS10H2	
		Capacity	KW ¹	Capacity	KW ¹	Capacity	KW ¹	Capacity	KW ¹
85°	10°	38,818	4.61	56,803	6.80	71,982	8.33	86,964	9.58
	20°	49,404	5.06	71,750	7.35	88,800	9.01	106,960	10.34
	25°	55,399	5.27	80,260	7.61	98,358	9.34	118,249	10.71
	30°	61,881	5.50	89,510	7.87	108,727	9.67	130,433	11.06
	45°	84,314	6.19	121,676	8.67	144,560	10.70	172,165	12.14
95°	10°	35,758	4.80	52,611	7.11	67,421	8.74	81,495	10.11
	20°	45,748	5.32	66,704	7.76	83,145	9.53	100,155	11.01
	25°	51,427	5.57	74,751	8.07	92,092	9.91	110,768	11.43
	30°	57,564	5.83	83,506	8.38	101,780	10.29	122,088	11.86
	45°	78,748	6.63	114,053	9.33	135,379	11.47	161,202	13.12
105°	10°	32,790	4.93	48,556	7.35	63,065	9.06	76,054	10.53
	20°	42,156	5.53	61,778	8.11	77,542	9.97	93,339	11.58
	25°	47,493	5.82	69,384	8.47	85,865	10.41	103,099	12.08
	30°	53,240	6.12	77,579	8.84	94,892	10.85	113,631	12.57
	45°	—	—	106,404	9.96	126,130	12.19	149,848	14.06
115°	10°	29,947	5.01	44,671	7.51	58,932	9.30	70,689	10.84
	20°	38,610	5.70	56,944	8.39	72,092	10.34	86,472	12.05
	25°	43,557	6.03	63,984	8.82	79,678	10.84	95,367	12.64
	30°	—	—	71,730	9.25	—	—	105,059	13.21
	45°	—	—	—	—	—	—	—	—

¹ KW is for unit.

— Consult factory.

NOTE: High Temp. units running at 0° and -10°F SST will require Aux. Cooling Fans. Consult factory.

R22 - High Temp.		Unit Model Numbers			
		DS12H2	DS15H2	DS20H2	DS25H2
Compressor Model Number		3DF3-1200	3DS3-1500	4DA3-2000	4DH3-2500
Compressor Motor Protection		INHERENT			
Number of Cylinders		3	3	4	4
MCA †	208/230 V	72.4	85.7	94.5	119.3
	460 V	35.1	42.8	47.3	60.3
RLA / LRA per compressor	208/230 V	48.2 / 275.0	59.6 / 275.0	66.6 / 308.0	82.2 / 428.0
	460 V	23.6 / 138.0	29.0 / 138.0	33.3 / 154.0	41.1 / 214.0
Number of Condenser Fan Motors		2	2	2	3
Size of Motor / Size of Blade		1 HP - 28"	1 HP - 28"	1 HP - 28"	1 HP - 28"
Condenser Fan Motor Amps Each	208/230 V	4.6	4.6	4.6	4.6
	460 V	2.3	2.3	2.3	2.3
Receiver Size		8 5/8" x 60"	8 5/8" x 60"	8 5/8" x 60"	8 5/8" x 60"
Receiver Capacity 80% Full**		104 lbs.	104 lbs.	104 lbs.	104 lbs.
Unit Operating Charge (approx.) †	Standard*	67 lbs.	72 lbs.	75 lbs.	88 lbs.
	w/Flood Control*	128 lbs.	128 lbs.	131 lbs.	157 lbs.
Compressor Suction Connection - ODS		1 5/8"	1 5/8"	1 5/8"	2 1/8"
Liquid Line Connection - ODS		7/8"	7/8"	7/8"	7/8"
Unit Shipping Weight (approx.)		1,918 lbs.	1,912 lbs.	2,124 lbs.	2,511 lbs.

* Based on 100 feet of equivalent refrigerant line piping. (Does not include the evaporator.)

** Based on 80% full at 90°F ambient.

† DS and DM models are per unit. DD models are per circuit.

Ambient Temp. °F	Suction Temp. °F	Unit Model Numbers							
		DS12H2		DS15H2		DS20H2		DS25H2	
		Capacity	KW ¹	Capacity	KW ¹	Capacity	KW ¹	Capacity	KW ¹
85°	10°	101,086	12.21	115,486	13.89	118,719	14.17	153,920	19.09
	20°	125,271	13.23	141,711	15.02	149,787	15.58	193,349	20.77
	25°	138,948	13.72	156,577	15.57	167,028	16.28	215,319	21.60
	30°	153,614	14.23	172,582	16.11	185,559	16.98	238,858	22.44
	45°	203,973	15.79	227,739	17.74	247,937	19.09	318,655	25.04
95°	10°	94,927	12.84	109,435	14.67	110,090	14.85	144,099	20.03
	20°	117,607	13.99	133,590	15.96	138,784	16.45	181,299	21.93
	25°	130,340	14.56	147,334	16.58	154,781	17.23	201,906	22.89
	30°	144,071	15.13	162,215	17.19	171,959	17.94	224,003	23.83
	45°	191,187	16.88	213,315	19.01	229,508	20.32	298,508	26.78
105°	10°	88,795	13.36	103,539	15.31	101,286	15.38	134,102	20.76
	20°	109,764	14.66	125,571	16.77	127,652	17.16	168,747	22.94
	25°	121,532	15.31	138,081	17.47	142,268	18.03	187,948	24.01
	30°	134,324	15.95	151,677	18.16	157,876	18.88	208,614	25.08
	45°	178,043	17.91	198,507	20.18	210,324	21.46	277,786	28.40
115°	10°	82,695	13.76	97,905	15.78	92,541	15.72	123,780	21.30
	20°	101,788	15.24	117,518	17.44	116,159	17.72	155,735	23.77
	25°	112,652	15.96	128,823	18.23	129,359	18.69	173,526	24.98
	30°	124,337	16.68	—	—	—	—	—	—
	45°	—	—	—	—	—	—	—	—

¹ KW is for unit. — Consult factory.

NOTE: High Temp. units running at 0° and -10°F SST will require Aux. Cooling Fans. Consult factory.

R22 - High Temp.		Unit Model Numbers		
		DS30H2	DS35H2	DS40H2
Compressor Model Number		4DJ3-3000	6DH3-3500	6DJ3-4000
Compressor Motor Protection		INHERENT		
Number of Cylinders		4	6	6
MCA †	208/230 V	134.4	174.8	*** See note below
	460 V	67.7	87.5	99.3
RLA / LRA per compressor	208/230 V	94.0 / 470.0	125.1 / 565.0	*** See note below
	460 V	47.0 / 235.0	62.6 / 283.0	71.0 / 297.0
Number of Condenser Fan Motors		3	4	4
Size of Motor / Size of Blade		1 HP - 28"	1 HP - 28"	1 HP - 28"
Condenser Fan Motor Amps Each	208/230 V	4.6	4.6	4.6
	460 V	2.3	2.3	2.3
Receiver Size		10 3/4" x 60"	10 3/4" x 60"	12 3/4" x 60"
Receiver Capacity 80% Full**		159 lbs.	159 lbs.	220 lbs.
Unit Operating Charge (approx.) †	Standard*	120 lbs.	133 lbs.	154 lbs.
	w/Flood Control*	215 lbs.	222 lbs.	277 lbs.
Compressor Suction Connection - ODS		2 1/8"	2 1/8"	2 1/8"
Liquid Line Connection - ODS		1 1/8"	1 1/8"	1 1/8"
Unit Shipping Weight (approx.)		2,616 lbs.	3,357 lbs.	3,457 lbs.

* Based on 100 feet of equivalent refrigerant line piping. (Does not include the evaporator.) *** Voltage MCA RLA LRA
 ** Based on 80% full at 90°F ambient. 208v 209 150 754
 † DS and DM models are per unit. DD models are per circuit. 230v 199 142 594

Ambient Temp. °F	Suction Temp. °F	Unit Model Numbers					
		DS30H2		DS35H2		DS40H2	
		Capacity	KW ¹	Capacity	KW ¹	Capacity	KW ¹
85°	10°	183,238	22.37	228,075	27.81	275,001	32.95
	20°	228,071	24.42	280,159	30.22	337,758	35.88
	25°	253,297	25.44	309,922	31.44	373,472	37.37
	30°	280,352	26.46	342,065	32.66	411,650	38.92
	45°	373,137	29.67	452,542	36.65	543,470	44.01
95°	10°	170,997	23.40	214,076	29.27	257,542	34.71
	20°	213,181	25.77	262,129	31.98	316,311	38.00
	25°	236,873	26.94	289,648	33.34	349,665	39.36
	30°	262,337	28.11	319,311	34.73	385,570	41.41
	45°	349,346	31.77	421,983	39.13	508,420	47.07
105°	10°	158,671	24.21	200,767	30.50	240,499	36.22
	20°	198,009	26.92	244,305	33.56	294,864	39.93
	25°	220,124	28.26	269,515	35.08	325,773	41.81
	30°	243,901	29.59	296,609	36.63	359,067	43.73
	45°	325,078	33.75	390,636	41.51	473,193	49.98
115°	10°	146,357	24.77	188,187	31.48	223,831	37.48
	20°	182,618	27.87	226,930	34.93	273,515	41.63
	25°	203,060	29.38	—	—	—	—
	30°	—	—	—	—	—	—
	45°	—	—	—	—	—	—

¹ KW is for unit. — Consult factory.
 NOTE: High Temp. units running at 0° and -10°F SST will require Aux. Cooling Fans. Consult factory.

R22 - High Temp.		Unit Model Numbers			
		DD10H2	DD16H2	DD18H2	DD20H2
Compressor Model Number		2DD3-0500 (2)	2DA3-0750 (2)	3DA3-0750 (2)	3DB3-1000 (2)
Compressor Motor Protection		INHERENT			
Number of Cylinders		2	2	3	3
MCA †	208/230 V	30.6	45.7	58.6	60.9
	460 V	15.0	20.6	28.3	29.2
RLA / LRA per compressor	208/230 V	22.3 / 120.0	32.0 / 169.0	41.0 / 215.0	43.6 / 215.0
	460 V	10.5 / 60.0	14.1 / 85.0	20.0 / 106.0	20.0 / 106.0
Number of Condenser Fan Motors		2	2	4	4
Size of Motor / Size of Blade		1/2 HP - 24"	1 HP - 28"	1/2 HP - 24"	1/2 HP - 24"
Condenser Fan Motor Amps Each	208/230 V	2.2	4.6	2.2	2.2
	460 V	1.1	2.3	1.1	1.1
Receiver Size		6" x 36" (2)	8 5/8" x 36" (2)	8 5/8" x 42" (2)	8 5/8" x 42" (2)
Receiver Capacity 80% Full**		30 lbs.	61 lbs.	72 lbs.	72 lbs.
Unit Operating Charge (approx.) †	Standard*	29 lbs.	37 lbs.	49 lbs.	61 lbs.
	w/Flood Control*	44 lbs.	71 lbs.	88 lbs.	104 lbs.
Compressor Suction Connection - ODS		1 3/8" (2)	1 3/8" (2)	1 3/8" (2)	1 3/8" (2)
Liquid Line Connection - ODS		5/8" (2)	5/8" (2)	7/8" (2)	7/8" (2)
Unit Shipping Weight (approx.)		2,600 lbs.	2,796 lbs.	3,166 lbs.	3,568 lbs.

* Based on 100 feet of equivalent refrigerant line piping. (Does not include the evaporator.)

** Based on 80% full at 90°F ambient.

† DS and DM models are per unit. DD models are per circuit.

Ambient Temp. °F	Suction Temp. °F	Unit Model Numbers							
		DD10H2		DD16H2		DD18H2		DD20H2	
		Capacity	KW ¹	Capacity	KW ¹	Capacity	KW ¹	Capacity	KW ¹
85°	10°	78,146	9.17	111,570	13.86	143,519	16.74	173,963	19.15
	20°	99,500	10.03	140,687	15.08	176,921	18.13	214,104	20.66
	25°	111,589	10.45	157,174	15.69	196,047	18.80	236,703	21.38
	30°	124,686	10.87	175,152	16.30	216,566	19.48	260,978	22.09
	45°	170,165	12.16	237,222	18.26	287,645	21.60	344,718	24.22
95°	10°	72,024	9.56	103,295	14.41	134,440	17.54	163,028	20.20
	20°	92,170	10.57	130,658	15.84	165,718	19.14	200,555	21.97
	25°	103,624	11.06	146,295	16.54	183,488	19.92	221,655	22.83
	30°	116,055	11.55	163,166	17.26	202,719	20.71	244,486	23.66
	45°	159,088	13.06	221,858	19.50	269,178	23.13	322,837	26.18
105°	10°	66,020	9.84	95,266	14.83	125,795	18.17	152,194	21.05
	20°	84,962	11.01	120,865	16.47	154,503	20.02	186,798	23.13
	25°	95,698	11.58	135,465	17.29	171,007	20.91	206,428	24.13
	30°	107,399	12.14	151,347	18.10	188,812	21.81	227,703	25.10
	45°	147,828	13.90	206,396	20.68	250,572	24.56	300,177	28.06
115°	10°	60,330	10.01	87,664	15.08	117,518	18.61	141,490	21.68
	20°	77,881	11.35	111,320	16.98	143,593	20.73	173,011	24.10
	25°	87,895	12.01	124,869	17.91	—	—	190,978	25.26
	30°	—	—	—	—	—	—	210,395	26.40
	45°	—	—	—	—	—	—	—	—

¹ KW is for unit. — Consult factory.

NOTE: High Temp. units running at 0° and -10°F SST will require Aux. Cooling Fans. Consult factory.

R22 - High Temp.		Unit Model Numbers			
		DD24H2	DD30H2	DD40H2	DD50H2
Compressor Model Number		3DF3-1200 (2)	3DS3-1500 (2)	4DA3-2000 (2)	4DH3-2500 (2)
Compressor Motor Protection		INHERENT			
Number of Cylinders		3	3	4	4
MCA †	208/230 V	72.4	85.7	94.5	119.3
	460 V	35.1	42.8	47.3	60.3
RLA / LRA per compressor	208/230 V	48.2 / 275.0	59.6 / 275.0	66.0 / 308.0	82.2 / 428.0
	460 V	23.6 / 138.0	29.0 / 138.0	33.0 / 154.0	41.4 / 214.0
Number of Condenser Fan Motors		4	4	4	6
Size of Motor / Size of Blade		1 HP - 28"	1 HP - 28"	1 HP - 28"	1 HP - 28"
Condenser Fan Motor Amps Each	208/230 V	4.6	4.6	4.6	4.6
	460 V	2.3	2.3	2.3	2.3
Receiver Size		8 5/8" x 60" (2)	8 5/8" x 60"	8 5/8" x 60" (2)	8 5/8" x 60" (2)
Receiver Capacity 80% Full**		104 lbs.	104 lbs.	104 lbs.	104 lbs.
Unit Operating Charge (approx.) †	Standard*	67 lbs.	72 lbs.	75 lbs.	88 lbs.
	w/Flood Control*	104 lbs.	128 lbs.	131 lbs.	140 lbs.
Compressor Suction Connection - ODS		1 5/8" (2)	1 5/8" (2)	1 5/8" (2)	2 1/8" (2)
Liquid Line Connection - ODS		7/8" (2)	7/8" (2)	7/8" (2)	7/8" (2)
Unit Shipping Weight (approx.)		3,564 lbs.	3,564 lbs.	3,848 lbs.	4,892 lbs.

* Based on 100 feet of equivalent refrigerant line piping. (Does not include the evaporator.)

** Based on 80% full at 90°F ambient.

† DS and DM models are per unit. DD models are per circuit.

Ambient Temp. °F	Suction Temp. °F	Unit Model Numbers							
		DD24H2		DD30H2		DD40H2		DD50H2	
		Capacity	KW ¹	Capacity	KW ¹	Capacity	KW ¹	Capacity	KW ¹
85°	10°	198,894	25.06	230,119	28.04	238,014	28.25	307,196	38.32
	20°	245,431	27.38	281,787	30.42	300,410	31.05	385,826	41.73
	25°	271,610	28.55	311,187	31.56	335,256	32.41	429,665	43.41
	30°	299,631	29.73	342,816	32.70	372,309	33.79	476,322	45.13
	45°	394,961	33.49	451,093	36.17	498,388	37.91	634,782	50.48
95°	10°	186,499	26.20	217,925	29.56	220,794	29.64	287,555	40.14
	20°	229,827	28.78	265,639	32.23	278,484	32.80	361,436	44.03
	25°	254,164	30.07	292,763	33.52	310,732	34.32	402,510	45.95
	30°	280,320	31.37	321,886	34.81	345,245	35.83	446,425	47.89
	45°	368,769	35.48	421,941	38.64	461,363	40.42	594,592	53.91
105°	10°	174,130	27.12	206,267	30.77	203,225	30.71	267,406	41.60
	20°	213,987	29.99	249,416	33.80	256,059	34.25	336,328	45.99
	25°	236,355	31.42	274,076	35.24	285,679	35.95	374,449	48.19
	30°	260,386	32.85	300,792	36.66	317,364	37.64	415,266	50.37
	45°	341,638	37.38	—	—	423,231	42.71	—	—
115°	10°	161,914	27.80	195,018	31.68	185,586	31.42	246,789	42.64
	20°	197,978	31.00	233,411	35.08	233,256	35.39	310,335	47.63
	25°	—	—	—	—	259,964	37.30	—	—
	30°	—	—	—	—	—	—	—	—
	45°	—	—	—	—	—	—	—	—

¹ KW is for unit.

— Consult factory.

NOTE: High Temp. units running at 0° and -10°F SST will require Aux. Cooling Fans. Consult factory.

R22 - High Temp.		Unit Model Numbers			
		DD60H2	DD70H2	DD80H2	DM45H2
Compressor Model Number		4DJ3-3000 (2)	6DH3-3500 (2)	6DJ3-4000 (2)	3DS3-1500 (3)
Compressor Motor Protection		INHERENT			
Number of Cylinders		4	6	6	3
MCA †	208/230 V	134.4	170.2	*** See note below	221.3
	460 V	67.7	85.2	102.2	108.1
RLA / LRA per compressor	208/230 V	94.0 / 470.0	125.1 / 565.0	*** See note below	59.6 / 275.0
	460 V	47.0 / 235.0	62.6 / 283.0	72.0 / 288.0	29.0 / 138.0
Number of Condenser Fan Motors		6	6	8	6
Size of Motor / Size of Blade		1 HP - 28"	1 HP - 28"	1 HP - 28"	1 HP - 28"
Condenser Fan Motor Amps Each	208/230 V	4.6	4.6	4.6	4.6
	460 V	2.3	2.3	2.3	2.3
Receiver Size		10 3/4" x 60" (2)	10 3/4" x 60" (2)	12 3/4" x 60" (2)	14" x 72"
Receiver Capacity 80% Full**		159 lbs.	159 lbs.	227 lbs.	330 lbs.
Unit Operating Charge (approx.) †	Standard*	120 lbs.	133 lbs.	154 lbs.	241 lbs.
	w/Flood Control*	215 lbs.	222 lbs.	277 lbs.	388 lbs.
Compressor Suction Connection - ODS		2 1/8" (2)	2 1/8" (2)	2 1/8" (2)	2 5/8"
Liquid Line Connection - ODS		1 1/8" (2)	1 1/8" (2)	1 1/8" (2)	1 1/8"
Unit Shipping Weight (approx.)		5,164 lbs.	5,440 lbs.	5,776 lbs.	5,472 lbs.

* Based on 100 feet of equivalent refrigerant line piping. (Does not include the evaporator.) *** Voltage MCA RLA LRA
 ** Based on 80% full at 90°F ambient. 208v 233 170 660
 † DS and DM models are per unit. DD models are per circuit. 230v 215 141 575

Ambient Temp. °F	Suction Temp. °F	Unit Model Numbers							
		DD60H2		DD70H2		DD80H2		DM45H2	
		Capacity	KW ¹	Capacity	KW ¹	Capacity	KW ¹	Capacity	KW ¹
85°	10°	366,819	44.68	454,333	53.78	544,330	66.94	347,599	41.37
	20°	456,556	48.78	557,734	58.72	667,476	73.22	426,865	44.65
	25°	507,161	50.78	616,460	61.23	736,810	76.48	471,830	46.23
	30°	561,326	52.82	679,818	63.78	811,633	79.83	520,496	47.78
	45°	747,277	59.14	898,127	72.07	1,066,685	91.03	688,209	52.39
95°	10°	342,198	46.77	426,492	56.62	509,595	70.27	329,280	43.77
	20°	426,801	51.48	521,388	62.20	624,366	77.29	402,584	47.52
	25°	474,369	53.80	575,801	64.99	689,007	80.89	444,157	49.34
	30°	525,363	56.12	634,605	67.83	758,528	84.64	489,275	51.09
	45°	699,627	63.40	836,103	76.99	996,679	96.87	645,275	56.28
105°	10°	317,714	48.38	399,950	59.02	475,679	73.16	311,539	45.74
	20°	396,483	53.80	486,080	65.26	581,290	80.97	378,360	50.01
	25°	440,928	56.44	535,423	68.42	641,187	84.96	416,532	52.07
	30°	488,377	59.12	589,019	71.58	705,300	89.10	457,870	54.05
	45°	651,197	67.36	—	—	—	—	600,870	59.90
115°	10°	293,102	49.52	375,128	60.92	—	—	294,653	47.21
	20°	365,729	55.70	451,297	67.95	—	—	354,280	52.08
	25°	406,673	58.72	—	—	—	—	388,600	54.40
	30°	—	—	—	—	—	—	426,076	56.65
	45°	—	—	—	—	—	—	—	—

¹ KW is for unit. — Consult factory.
 NOTE: High Temp. units running at 0° and -10°F SST will require Aux. Cooling Fans. Consult factory.

R22 - High Temp.		Unit Model Numbers				
		DM60H2	DM75H2	DM90H2	DM105H2	DM120H2
Compressor Model Number		4DA3-2000 (3)	4DH3-2500 (3)	4DJ3-3000 (3)	6DH3-3500 (3)	6DJ3-4000 (3)
Compressor Motor Protection		INHERENT				
Number of Cylinders		4	4	4	6	6
MCA †	208/230 V	244.1	304.0	342.3	443.4	***See note below
	460 V	122.0	152.0	171.2	221.9	258.4
RLA / LRA per compressor	208/230 V	66.6 / 308.0	82.7 / 428.0	94.0 / 470.0	125.1 / 565.0	***See note below
	460 V	33.3 / 154.0	41.1 / 214.0	47.0 / 235.0	62.6 / 283.0	71.0 / 297.0
Number of Condenser Fan Motors		6	8	8	8	12
Size of Motor / Size of Blade		1 HP - 28"	1 HP - 28"	1 HP - 28"	1 HP - 28"	1 HP - 28"
Condenser Fan Motor Amps Each	208/230 V	4.6	4.6	4.6	4.6	4.6
	460 V	2.3	2.3	2.3	2.3	2.3
Receiver Size		14" x 72"	14" x 72"	14" x 96"	14" x 96"	16" x 96"
Receiver Capacity 80% Full**		330 lbs.	330 lbs.	444 lbs.	444 lbs.	586 lbs.
Unit Operating Charge (approx.) †	Standard*	248 lbs.	323 lbs.	371 lbs.	493 lbs.	514 lbs.
	w/Flood Control*	395 lbs.	520 lbs.	601 lbs.	882 lbs.	886 lbs.
Compressor Suction Connection - ODS		2 5/8"	3 1/8"	3 1/8"	3 5/8"	3 5/8"
Liquid Line Connection - ODS		1 1/8"	1 3/8"	1 3/8"	1 5/8"	1 5/8"
Unit Shipping Weight (approx.)		5,813 lbs.	6,502 lbs.	6,770 lbs.	8,587 lbs.	9,058 lbs.

* Based on 100 feet of equivalent refrigerant line piping. (Does not include the evaporator.)

*** Voltage MCA RLA LRA

** Based on 80% full at 90°F ambient.

208v 542.7 150 754

† DS and DM models are per unit. DD models are per circuit.

230v 516.7 142 594

Ambient Temp. °F	Suction Temp. °F	Unit Model Numbers									
		DM60H2		DM75H2		DM90H2		DM105H2		DM120H2	
		Capacity	KW ¹	Capacity	KW ¹	Capacity	KW ¹	Capacity	KW ¹	Capacity	KW ¹
85°	10°	357,986	42.22	463,782	55.82	548,545	66.18	687,522	78.37	825,723	98.72
	20°	452,197	46.35	583,124	60.66	682,650	72.44	845,651	85.37	1,014,840	107.44
	25°	504,825	48.34	649,499	63.05	758,176	75.53	935,872	88.86	1,121,657	111.88
	30°	561,079	50.35	720,658	65.45	839,174	78.63	1,033,355	92.40	1,236,870	116.52
	45°	751,565	56.41	962,718	72.89	1,115,397	88.48	1,370,528	103.73	1,632,300	131.71
95°	10°	332,229	44.35	434,316	58.68	511,915	69.23	645,275	82.89	773,349	104.03
	20°	419,439	49.01	546,943	64.24	637,844	76.44	791,635	90.74	950,109	113.81
	25°	468,040	51.27	609,711	66.96	708,948	79.96	874,627	94.72	1,050,318	118.84
	30°	520,279	53.48	676,479	69.73	784,933	83.54	965,467	98.69	1,158,194	124.00
	45°	696,154	60.21	903,636	78.17	1,044,110	94.75	1,278,834	111.32	1,528,468	140.81
105°	10°	305,951	45.98	404,401	60.96	474,720	71.63	605,211	86.67	722,221	108.57
	20°	385,937	51.22	509,644	67.32	592,405	79.84	738,008	95.59	885,827	119.60
	25°	430,627	53.75	567,861	70.45	658,565	83.88	814,438	100.02	978,727	125.22
	30°	478,229	56.23	630,352	73.59	729,419	87.94	897,412	104.53	1,078,422	131.03
	45°	639,322	63.72	841,761	83.13	970,468	100.65	1,186,298	118.54	—	—
115°	10°	279,694	47.02	373,460	62.64	437,909	73.27	567,311	89.71	672,216	112.36
	20°	351,657	52.99	470,557	69.91	546,119	82.63	685,617	99.80	821,531	124.78
	25°	391,977	55.83	524,830	73.46	607,234	87.22	754,381	104.82	—	—
	30°	435,362	58.60	—	—	—	—	—	—	—	—
	45°	—	—	—	—	—	—	—	—	—	—

¹ KW is for unit.

— Consult factory.

NOTE: High Temp. units running at 0° and -10°F SST will require Aux. Cooling Fans. Consult factory.

R22 - Low Temp.		Unit Model Numbers			
		DS03L2	DS04L2	DS06L2	DS07L2
Compressor Model Number		2DF3-0300	2DL3-0400	2DA3-0600	3DA3-0600
Compressor Motor Protection		INHERENT			
Number of Cylinders		2	2	2	3
MCA †	208/230 V	24.2	36.3	40.2	37.3
	460 V	11.7	14.4	14.4	16.7
RLA / LRA per compressor	208/230 V	16.8 / 102.0	26.3 / 161.0	28.8 / 161.0	26.5 / 150.0
	460 V	8.1 / 52.0	10.2 / 60.0	10.2 / 60.0	12.0 / 77.0
Number of Condenser Fan Motors		1	1	1	1
Size of Motor / Size of Blade		1/2 HP - 20"	1/2 HP - 20"	1/2 HP - 24"	1/2 HP - 24"
Condenser Fan Motor Amps Each	208/230 V	2.2	2.2	2.2	2.2
	460 V	1.1	1.1	1.1	1.1
Receiver Size		6" x 28"	6" x 28"	6" x 36"	8 5/8" x 36"
Receiver Capacity 80% Full**		23 lbs.	23 lbs.	32 lbs.	64 lbs.
Unit Operating Charge (approx.) †	Standard*	19 lbs.	21 lbs.	30 lbs.	34 lbs.
	w/Flood Control*	33 lbs.	35 lbs.	47 lbs.	63 lbs.
Compressor Suction Connection - ODS		1 3/8"	1 3/8"	1 3/8"	1 3/8"
Liquid Line Connection - ODS		1/2"	1/2"	5/8"	5/8"
Unit Shipping Weight (approx.)		1,080 lbs.	1,140 lbs.	1,314 lbs.	1,464 lbs.

* Based on 100 feet of equivalent refrigerant line piping. (Does not include the evaporator.)

** Based on 80% full at 90°F ambient.

† DS and DM models are per unit. DD models are per circuit.

Ambient Temp. °F	Suction Temp. °F	Unit Model Numbers							
		DS03L2		DS04L2		DS06L2		DS07L2	
		Capacity	KW ¹	Capacity	KW ¹	Capacity	KW ¹	Capacity	KW ¹
85°	-40°	9,200	2.60	10,637	2.95	12,688	3.42	16,483	4.06
	-30°	13,218	3.07	15,604	3.51	18,689	4.01	23,453	4.73
	-20°	18,369	3.54	21,653	4.08	26,046	4.60	32,066	5.41
	-10°	24,697	4.03	28,821	4.67	34,868	5.21	42,470	6.13
	0°	32,265	4.56	37,090	5.31	47,879	6.65	54,866	6.92
95°	-40°	7,991	2.56	9,154	2.94	11,020	3.46	14,328	4.09
	-30°	11,635	3.07	13,818	3.55	16,635	4.10	20,927	4.84
	-20°	16,370	3.58	19,454	4.16	23,533	4.74	29,113	5.60
	-10°	22,219	4.11	26,115	4.79	31,777	5.38	39,011	6.39
	0°	29,225	4.66	33,813	5.47	43,303	6.86	50,722	7.25
105°	-40°	6,857	2.50	7,669	2.88	9,335	3.45	12,179	4.08
	-30°	10,094	3.05	11,974	3.55	14,541	4.15	18,375	4.92
	-20°	14,378	3.60	17,188	4.21	20,909	4.84	26,093	5.75
	-10°	19,741	4.16	23,344	4.88	28,562	5.52	35,415	6.63
	0°	26,132	4.75	30,396	5.61	38,518	7.05	46,454	7.57
115°	-40°	5,802	2.39	6,170	2.79	7,639	3.39	10,021	4.01
	-30°	8,601	3.00	10,101	3.51	12,375	4.16	15,808	4.94
	-20°	12,409	3.59	14,883	4.22	18,237	4.90	22,999	5.87
	-10°	17,235	4.19	20,479	4.40	25,236	5.64	31,708	6.84
	0°	22,982	4.82	—	—	33,421	6.39	42,009	7.88

¹ KW is for unit.

— Consult factory.

R22 - Low Temp.		Unit Model Numbers			
		DS08L2	DS09L2	DS10L2	DS11L2
Compressor Model Number		3DB3-0750	3DF3-0900	3DS3-1000	4DA3-1010
Compressor Motor Protection		INHERENT			
Number of Cylinders		3	3	3	4
MCA †	208/230 V	43.4	55.8	59.8	59.8
	460 V	22.2	25.4	27.5	29.2
RLA / LRA per compressor	208/230 V	31.5 / 161.0	39.0 / 215.0	42.0 / 215.0	42.0 / 240.0
	460 V	16.1 / 83.0	16.9 / 106.0	18.6 / 106.0	21.0 / 120.0
Number of Condenser Fan Motors		1	1	1	1
Size of Motor / Size of Blade		1/2 HP - 24"	1 HP - 28"	1 HP - 28"	1 HP - 28"
Condenser Fan Motor Amps Each	208/230 V	2.2	4.6	4.6	4.6
	460 V	1.1	2.3	2.3	2.3
Receiver Size		8 5/8" x 36"	8 5/8" x 36"	8 5/8" x 36"	8 5/8" x 36"
Receiver Capacity 80% Full**		64 lbs.	64 lbs.	64 lbs.	64 lbs.
Unit Operating Charge (approx.) †	Standard*	37 lbs.	42 lbs.	44 lbs.	51 lbs.
	w/Flood Control*	66 lbs.	77 lbs.	79 lbs.	98 lbs.
Compressor Suction Connection - ODS		1 3/8"	1 3/8"	1 5/8"	1 5/8"
Liquid Line Connection - ODS		5/8"	5/8"	5/8"	5/8"
Unit Shipping Weight (approx.)		1,464 lbs.	1,566 lbs.	1,576 lbs.	1,693 lbs.

* Based on 100 feet of equivalent refrigerant line piping. (Does not include the evaporator.)

** Based on 80% full at 90°F ambient.

† DS and DM models are per unit. DD models are per circuit.

Ambient Temp. °F	Suction Temp. °F	Unit Model Numbers							
		DS08L2		DS09L2		DS10L2		DS11L2	
		Capacity	KW ¹	Capacity	KW ¹	Capacity	KW ¹	Capacity	KW ¹
85°	-40°	21,063	4.73	23,849	6.25	25,888	6.82	25,925	6.81
	-30°	28,948	5.56	33,990	7.19	36,980	7.83	38,906	8.31
	-20°	38,697	6.42	46,346	8.19	50,363	8.92	54,284	9.74
	-10°	50,532	7.34	61,148	9.29	66,209	10.14	72,314	11.16
	0°	64,546	8.35	78,631	10.52	84,698	11.51	93,220	12.64
95°	-40°	18,602	4.82	21,026	6.39	23,097	7.01	21,599	6.68
	-30°	25,998	5.72	30,666	7.41	33,572	8.10	34,128	8.38
	-20°	35,198	6.65	42,439	8.49	46,150	9.27	48,896	10.00
	-10°	46,363	7.63	56,489	9.66	61,052	10.56	66,122	11.62
	0°	59,605	8.70	73,022	10.98	78,293	12.00	86,039	13.29
105°	-40°	16,145	4.85	18,137	6.49	20,198	7.16	17,105	6.42
	-30°	23,022	5.84	27,255	7.59	29,983	8.34	29,129	8.33
	-20°	31,642	6.84	38,354	8.76	41,762	9.58	43,225	10.17
	-10°	42,119	7.89	51,614	10.01	55,608	10.95	59,593	11.99
	0°	54,487	9.03	67,130	11.41	71,554	12.48	78,378	13.88
115°	-40°	13,729	4.83	15,202	6.52	17,160	7.25	12,397	6.02
	-30°	20,048	5.91	23,744	7.73	26,232	8.53	23,891	8.17
	-20°	28,034	6.99	34,148	8.99	37,106	9.86	37,313	10.23
	-10°	37,720	8.12	46,543	10.33	49,838	11.31	52,772	12.27
	0°	49,208	9.33	60,977	11.83	64,492	12.92	70,357	14.39

¹ KW is for unit.

— Consult factory.

R22 - Low Temp.

R22 - Low Temp.		Unit Model Numbers			
		DS15L2	DS22L2	DS27L2	DS30L2
Compressor Model Number		4DL3-1500	4DT3-2200	6DL3-2700	6DT3-3000
Compressor Motor Protection		INHERENT			
Number of Cylinders		4	4	6	6
MCA †	208/230 V	73.6	95.1	118.4	137.0
	460 V	36.1	46.9	58.4	68.7
RLA / LRA per compressor	208/230 V	52.6 / 278.0	66.0 / 374.0	80.8 / 436.0	95.6 / 470.0
	460 V	26.3 / 139.0	33.0 / 187.0	40.4 / 218.0	47.8 / 235.0
Number of Condenser Fan Motors		2	2	3	3
Size of Motor / Size of Blade		1/2 HP - 24"	1 HP - 28"	1 HP - 28"	1 HP - 28"
Condenser Fan Motor Amps Each	208/230 V	4.6	4.6	4.6	4.6
	460 V	2.3	2.3	2.3	2.3
Receiver Size		8 5/8" x 60"	8 5/8" x 60"	8 5/8" x 60"	10 3/4" x 60"
Receiver Capacity 80% Full**		108 lbs.	108 lbs.	108 lbs.	166 lbs.
Unit Operating Charge (approx.) †	Standard*	68 lbs.	80 lbs.	93 lbs.	125 lbs.
	w/Flood Control*	113 lbs.	139 lbs.	165 lbs.	218 lbs.
Compressor Suction Connection - ODS		1 5/8"	2 1/8"	2 1/8"	2 1/8"
Liquid Line Connection - ODS		7/8"	7/8"	7/8"	7/8"
Unit Shipping Weight (approx.)		1,828 lbs.	2,073 lbs.	2,459 lbs.	2,616 lbs.

* Based on 100 feet of equivalent refrigerant line piping. (Does not include the evaporator.)

** Based on 80% full at 90°F ambient.

† DS and DM models are per unit. DD models are per circuit.

Ambient Temp. °F	Suction Temp. °F	Unit Model Numbers							
		DS15L2		DS22L2		DS27L2		DS30L2	
		Capacity	KW ¹	Capacity	KW ¹	Capacity	KW ¹	Capacity	KW ¹
85°	-40°	36,494	9.11	43,844	11.76	54,183	15.12	65,147	17.52
	-30°	51,614	10.74	61,400	13.57	77,651	17.69	92,355	20.45
	-20°	69,829	12.37	82,602	15.43	104,996	20.12	124,802	23.35
	-10°	91,292	14.08	107,721	17.40	136,708	22.50	162,909	26.31
	0°	116,385	15.95	136,964	19.56	173,079	24.93	206,737	29.47
95°	-40°	31,826	9.20	39,463	12.05	47,691	15.25	58,975	17.90
	-30°	46,267	11.03	56,012	14.04	70,279	18.14	84,429	21.16
	-20°	63,490	12.86	75,909	16.06	96,444	20.87	114,629	24.36
	-10°	83,820	14.77	99,416	18.19	126,539	23.54	149,814	27.63
	0°	107,424	16.84	126,674	20.51	160,819	26.24	190,095	31.07
105°	-40°	27,027	9.17	34,907	12.21	40,586	15.14	52,330	18.03
	-30°	40,641	11.22	50,333	14.40	62,259	18.38	75,867	21.66
	-20°	56,924	13.26	68,855	16.60	87,119	21.43	103,654	25.20
	-10°	75,967	15.39	90,676	18.91	115,533	24.41	135,771	28.79
	0°	97,927	17.69	115,833	21.39	147,587	27.42	172,486	32.53
115°	-40°	22,024	9.01	30,175	12.23	32,903	14.77	45,249	17.92
	-30°	34,808	11.30	44,388	14.64	53,620	18.39	66,664	21.94
	-20°	50,017	13.58	61,467	17.05	77,122	21.80	91,911	25.85
	-10°	67,732	15.94	81,453	19.54	103,693	25.11	120,773	29.79
	0°	88,044	18.49	104,444	22.21	133,393	28.45	153,577	33.87

¹ KW is for unit.

— Consult factory.

R22 - Low Temp.		Unit Model Numbers			
		DD12L2	DD14L2	DD16L2	DD18L2
Compressor Model Number		2DA3-0600 (2)	3DA3-0600 (2)	3DB3-0750 (2)	3DF3-0900 (2)
Compressor Motor Protection		INHERENT			
Number of Cylinders		2	3	3	3
MCA †	208/230 V	40.2	37.3	43.4	55.8
	460 V	14.4	16.7	2	25.4
RLA / LRA per compressor	208/230 V	28.8 / 161.0	26.5 / 150.0	31.5 / 161.0	39.0 / 215.0
	460 V	10.2 / 60.0	12.0 / 77.0	16.1 / 83.0	16.9 / 106.0
Number of Condenser Fan Motors		32	2	2	2
Size of Motor / Size of Blade		1/2 HP - 24"	1/2 HP - 24"	1/2 HP - 24"	1 HP - 28"
Condenser Fan Motor Amps Each	208/230 V	2.2	2.2	2.2	4.6
	460 V	1.1	1.1	1.1	2.3
Receiver Size		6" x 36" (2)	8 5/8" x 36" (2)	8 5/8" x 36" (2)	8 5/8" x 36" (2)
Receiver Capacity 80% Full**		33. lbs.	67 lbs.	67 lbs.	67 lbs.
Unit Operating Charge (approx.) †	Standard*	32 lbs.	36 lbs.	39 lbs.	44 lbs.
	w/Flood Control*	50 lbs.	66 lbs.	69 lbs.	82 lbs.
Compressor Suction Connection - ODS		1 3/8" (2)	1 3/8" (2)	1 3/8" (2)	1 3/8" (2)
Liquid Line Connection - ODS		5/8" (2)	5/8" (2)	5/8" (2)	5/8" (2)
Unit Shipping Weight (approx.)		2,604 lbs.	2,855 lbs.	2,868 lbs.	2,999 lbs.

* Based on 100 feet of equivalent refrigerant line piping. (Does not include the evaporator.)

** Based on 80% full at 90°F ambient.

† DS and DM models are per unit. DD models are per circuit.

Ambient Temp. °F	Suction Temp. °F	Unit Model Numbers							
		DD12L2		DD14L2		DD16L2		DD18L2	
		Capacity	KW ¹	Capacity	KW ¹	Capacity	KW ¹	Capacity	KW ¹
85°	-40°	25,203	6.86	32,683	8.13	41,657	9.50	47,115	12.55
	-30°	37,124	8.05	46,482	9.49	57,174	11.18	67,196	14.46
	-20°	51,683	9.24	63,540	10.88	76,425	12.94	91,620	16.51
	-10°	69,150	10.47	84,171	12.36	99,649	14.83	120,752	18.78
	0°	89,539	11.77	108,572	13.99	127,127	16.93	154,953	21.36
95°	-40°	21,859	6.92	28,393	8.18	36,737	9.65	41,490	12.82
	-30°	32,995	8.22	41,437	9.71	51,276	11.49	60,524	14.89
	-20°	46,651	9.50	57,621	11.24	69,432	13.37	83,701	17.09
	-10°	62,943	10.80	77,180	12.87	91,327	15.39	111,303	19.51
	0°	81,946	12.18	100,248	14.65	117,112	17.61	143,508	22.24
105°	-40°	18,517	6.90	24,086	8.15	31,864	9.71	35,718	12.98
	-30°	28,818	8.31	36,364	9.84	45,394	11.70	53,712	15.24
	-20°	41,420	9.69	51,577	11.54	62,298	13.73	75,509	17.61
	-10°	56,524	11.08	69,911	13.33	82,722	15.89	101,428	20.19
	0°	74,068	12.53	91,636	15.28	106,801	18.24	131,633	23.09
115°	-40°	15,116	6.78	19,806	8.01	27,021	9.65	29,874	13.05
	-30°	24,516	8.31	31,206	9.89	39,460	11.82	46,678	15.49
	-20°	36,024	9.80	45,413	11.77	55,069	14.02	67,047	18.05
	-10°	49,813	11.29	62,549	13.74	73,959	16.32	91,174	20.81
	0°	65,775	12.83	82,679	15.87	—	—	—	—

¹ KW is for unit.

— Consult factory.

R22 - Low Temp.

R22 - Low Temp.		Unit Model Numbers			
		DD20L2	DD22L2	DD30L2	DD44L2
Compressor Model Number		3DS3-1000 (2)	4DA3-1010 (2)	4DL3-1500 (2)	4DT3-2200 (2)
Compressor Motor Protection		INHERENT			
Number of Cylinders		3	4	4	4
MCA †	208/230 V	59.8	59.8	73.6	95.1
	460 V	27.5	29.2	36.1	46.9
RLA / LRA per compressor	208/230 V	42.0 / 215.0	42.0 / 240.0	52.6 / 278.0	66.0 / 374.0
	460 V	18.6 / 106.0	21.0 / 120.0	26.3 / 139.0	33.0 / 187.0
Number of Condenser Fan Motors		4	4	4	4
Size of Motor / Size of Blade		1/2 HP - 24"	1/2 HP - 24"	1/2 HP - 24"	1 HP - 28"
Condenser Fan Motor Amps Each	208/230 V	2.2	2.2	2.2	4.6
	460 V	1.1	1.1	1.1	2.3
Receiver Size		8 5/8" x 36" (2)	8 5/8" x 36" (2)	8 5/8" x 60" (2)	8 5/8" x 60" (2)
Receiver Capacity 80% Full**		67 lbs.	67 lbs.	113 lbs.	113 lbs.
Unit Operating Charge (approx.) †	Standard*	46 lbs.	54 lbs.	71 lbs.	84 lbs.
	w/Flood Control*	83 lbs.	103 lbs.	119 lbs.	146 lbs.
Compressor Suction Connection - ODS		1 5/8" (2)	1 5/8" (2)	1 5/8" (2)	2 1/8" (2)
Liquid Line Connection - ODS		5/8" (2)	5/8" (2)	7/8" (2)	7/8" (2)
Unit Shipping Weight (approx.)		3,184 lbs.	3,442 lbs.	3,507 lbs.	3,820 lbs.

* Based on 100 feet of equivalent refrigerant line piping. (Does not include the evaporator.)

** Based on 80% full at 90°F ambient.

† DS and DM models are per unit. DD models are per circuit.

Ambient Temp. °F	Suction Temp. °F	Unit Model Numbers							
		DD20L2		DD22L2		DD30L2		DD44L2	
		Capacity	KW ¹	Capacity	KW ¹	Capacity	KW ¹	Capacity	KW ¹
85°	-40°	51,985	13.61	51,850	13.61	73,147	18.21	87,503	23.54
	-30°	74,201	15.63	77,812	16.61	103,464	21.45	122,422	27.20
	-20°	101,134	17.79	108,568	19.47	139,917	24.70	164,693	30.94
	-10°	133,002	20.19	144,627	22.31	183,031	28.10	214,653	34.92
	0°	170,246	22.99	186,440	25.27	233,195	31.83	272,763	39.30
95°	-40°	46,365	14.01	43,198	13.36	63,794	18.40	78,720	24.11
	-30°	67,413	16.18	68,329	16.76	92,680	22.04	111,602	28.12
	-20°	92,759	18.50	97,793	20.01	127,272	25.69	151,165	32.20
	-10°	122,776	21.04	132,243	23.23	168,062	29.48	198,023	36.50
	0°	157,559	23.90	172,078	26.58	215,342	33.61	252,110	41.18
105°	-40°	40,587	14.31	34,209	12.83	54,135	18.33	69,586	24.42
	-30°	60,266	16.65	58,343	16.67	81,488	22.43	100,272	28.82
	-20°	83,942	19.13	86,576	20.33	114,084	26.50	137,138	33.26
	-10°	111,914	21.83	119,330	23.97	152,414	30.73	180,533	37.90
	0°	144,143	24.85	156,854	27.74	196,509	35.32	230,261	42.93
115°	-40°	34,547	14.50	24,794	12.04	44,138	18.02	60,101	24.46
	-30°	52,794	17.03	47,879	16.34	69,840	22.60	88,345	29.29
	-20°	74,715	19.69	74,625	20.45	100,291	27.14	122,295	34.13
	-10°	100,460	22.57	105,543	24.54	135,887	31.84	161,980	39.16
	0°	130,058	25.76	140,831	28.77	176,733	36.90	207,472	44.55

¹ KW is for unit.

— Consult factory.

R22 - Low Temp.		Unit Model Numbers	
		DD54L2	DD60L2
Compressor Model Number		6DL3-2700 (2)	6DT3-3000 (2)
Compressor Motor Protection		INHERENT	
Number of Cylinders		6	6
MCA †	208/230 V	118.4	137.0
	460 V	58.4	68.7
RLA / LRA per compressor	208/230 V	80.8 / 436.0	95.6 / 470.0
	460 V	40.4 / 218.0	47.8 / 235.0
Number of Condenser Fan Motors		6	6
Size of Motor / Size of Blade		1 HP - 28"	1 HP - 28"
Condenser Fan Motor Amps Each	208/230 V	4.6	4.6
	460 V	2.3	2.3
Receiver Size		8 5/8" x 60" (2)	10 3/4" x 60" (2)
Receiver Capacity 80% Full**		113 lbs.	166 lbs.
Unit Operating Charge (approx.) †	Standard*	98 lbs.	131 lbs.
	w/Flood Control*	173 lbs.	229 lbs.
Compressor Suction Connection - ODS		2 1/8" (2)	2 1/8" (2)
Liquid Line Connection - ODS		7/8" (2)	1 1/8" (2)
Unit Shipping Weight (approx.)		4,353 lbs.	5,286 lbs.

* Based on 100 feet of equivalent refrigerant line piping. (Does not include the evaporator.)

** Based on 80% full at 90°F ambient.

† DS and DM models are per unit. DD models are per circuit.

Ambient Temp. °F	Suction Temp. °F	Unit Model Numbers			
		DD54L2		DD60L2	
		Capacity	KW ¹	Capacity	KW ¹
85°	-40°	107,572	30.29	130,596	35.02
	-30°	154,186	35.51	185,235	40.82
	-20°	208,464	40.49	250,354	46.56
	-10°	271,195	45.40	327,040	52.42
	0°	343,075	50.44	415,354	58.63
95°	-40°	94,447	30.50	118,314	35.78
	-30°	139,325	36.35	169,475	42.26
	-20°	191,149	41.92	230,153	48.60
	-10°	250,646	47.40	301,203	55.05
	0°	318,092	53.01	382,590	61.84
105°	-40°	80,249	30.23	105,041	36.06
	-30°	123,203	36.77	152,264	43.28
	-20°	172,401	42.98	208,213	50.31
	-10°	228,203	49.09	273,191	57.41
	0°	291,313	55.27	347,330	64.81
115°	-40°	64,888	29.48	90,878	35.85
	-30°	105,736	36.75	134,006	43.87
	-20°	152,112	43.66	184,859	51.64
	-10°	204,334	50.43	243,425	59.44
	0°	262,652	57.26	309,561	67.55

¹ KW is for unit.

— Consult factory.

R22 - Low Temp.		Unit Model Numbers			
		DM45L2	DM66L2	DM81L2	DM90L2
Compressor Model Number		4DL3-1500 (3)	4DT3-2200 (3)	6DL3-2700 (3)	6DT3-3000 (3)
Compressor Motor Protection		INHERENT			
Number of Cylinders		4	4	6	6
MCA †	208/230 V	198.6	242.1	290.2	338.3
	460 V	99.3	121.1	145.1	169.2
RLA / LRA per compressor	208/230 V	52.6 / 278.0	66.0 / 374.0	80.8 / 450.0	95.6 / 470.0
	460 V	26.3 / 139.0	33.0 / 187.0	40.4 / 225.0	47.8 / 235.0
Number of Condenser Fan Motors		6	6	6	6
Size of Motor / Size of Blade		1 HP - 28"	1 HP - 28"	1 HP - 28"	1 HP - 28"
Condenser Fan Motor Amps Each	208/230 V	4.6	4.6	4.6	4.6
	460 V	2.3	2.3	2.3	2.3
Receiver Size		14" x 72"	14" x 72"	14" x 72"	14" x 72"
Receiver Capacity 80% Full**		330 lbs.	330 lbs.	330 lbs.	330 lbs.
Unit Operating Charge (approx.) †	Standard*	146 lbs.	153 lbs.	186 lbs.	210 lbs.
	w/Flood Control*	244 lbs.	251 lbs.	284 lbs.	366 lbs.
Compressor Suction Connection - ODS		2 5/8"	2 5/8"	3 1/8"	3 1/8"
Liquid Line Connection - ODS		7/8"	7/8"	1 1/8"	1 1/8"
Unit Shipping Weight (approx.)		5,458 lbs.	5,562 lbs.	5,983 lbs.	6,187 lbs.

* Based on 100 feet of equivalent refrigerant line piping. (Does not include the evaporator.)

** Based on 80% full at 90°F ambient.

† DS and DM models are per unit. DD models are per circuit.

Ambient Temp. °F	Suction Temp. °F	Unit Model Numbers							
		DM45L2		DM66L2		DM81L2		DM90L2	
		Capacity	KW ¹	Capacity	KW ¹	Capacity	KW ¹	Capacity	KW ¹
85°	-40°	108,336	30.67	127,553	35.70	155,555	42.34	191,290	49.72
	-30°	153,242	35.65	178,158	41.52	223,253	50.70	270,203	59.06
	-20°	207,122	40.68	238,552	47.63	301,140	58.93	363,338	68.50
	-10°	270,712	46.01	309,159	54.23	390,397	67.29	470,964	78.38
	0°	344,479	51.90	389,947	61.59	490,680	76.14	592,920	89.05
95°	-40°	94,334	30.90	114,258	36.38	135,438	42.39	172,322	50.61
	-30°	137,032	36.48	161,378	42.73	199,932	51.63	245,654	60.89
	-20°	188,037	42.10	217,723	49.30	273,699	60.67	331,631	71.18
	-10°	248,031	48.01	283,199	56.34	357,481	69.82	429,857	81.91
	0°	317,274	54.51	357,446	64.14	450,268	79.46	540,395	93.40
105°	-40°	79,844	30.77	100,439	36.70	113,842	41.75	152,155	50.77
	-30°	120,161	37.00	144,220	43.60	175,166	51.93	219,151	62.10
	-20°	168,213	43.25	195,875	50.70	244,432	61.86	297,409	73.37
	-10°	224,339	49.81	255,920	58.23	322,074	71.90	386,064	85.01
	0°	288,654	56.98	323,139	66.53	407,955	82.34	484,404	97.41
115°	-40°	665,037	30.27	86,239	36.63	90,902	40.43	130,591	50.21
	-30°	102,827	37.20	126,148	44.14	148,581	51.61	191,207	62.67
	-20°	147,456	44.15	173,266	51.80	213,420	62.51	261,225	75.01
	-10°	199,518	51.40	—	—	—	—	339,902	87.65
	0°	—	—	—	—	—	—	—	—

¹ KW is for unit.

— Consult factory.

R507 - High Temp.		Unit Model Numbers			
		DS05H7	DS08H7	DS09H7	DS10H7
Compressor Model Number		2DD3-0500	2DA3-0750	3DA3-0750	3DB3-1000
Compressor Motor Protection		INHERENT			
Number of Cylinders		2	2	3	3
MCA †	208/230 V	31.2	45.7	57.0	60.2
	460 V	14.6	20.3	27.7	27.6
RLA / LRA per compressor	208/230 V	22.3 / 120.0	32.0 / 169.0	41.0 / 215.0	43.6 / 215.0
	460 V	10.5 / 60.0	14.1 / 85.0	20.0 / 106.0	20.0 / 106.0
Number of Condenser Fan Motors		1	1	1	2
Size of Motor / Size of Blade		1/2 HP - 24"	1 HP - 28"	1 HP - 28"	1/2 HP - 24"
Condenser Fan Motor Amps Each	208/230 V	2.2	4.6	4.6	2.2
	460 V	1.1	2.3	2.3	1.1
Receiver Size		6" x 36"	8 5/8" x 36"	8 5/8" x 42"	8 5/8" x 42"
Receiver Capacity 80% Full**		28 lbs.	56 lbs.	63 lbs.	63 lbs.
Unit Operating Charge (approx.) †	Standard*	29 lbs.	37 lbs.	49 lbs.	61 lbs.
	w/Flood Control*	41 lbs.	81 lbs.	88 lbs.	96 lbs.
Compressor Suction Connection - ODS		1 3/8"	1 3/8"	1 3/8"	1 3/8"
Liquid Line Connection - ODS		5/8"	5/8"	7/8"	7/8"
Unit Shipping Weight (approx.)		1,289 lbs.	1,397 lbs.	1,475 lbs.	1,670 lbs.

* Based on 100 feet of equivalent refrigerant line piping. (Does not include the evaporator.)

** Based on 80% full at 90°F ambient.

† DS and DM models are per unit. DD models are per circuit.

Ambient Temp. °F	Suction Temp. °F	Unit Model Numbers							
		DS05H7		DS08H7		DS09H7		DS10H7	
		Capacity	KW ¹	Capacity	KW ¹	Capacity	KW ¹	Capacity	KW ¹
85°	-10°	29,982	4.11	45,625	6.36	53,909	7.48	64,020	8.82
	0°	37,616	4.66	55,935	7.05	65,266	8.29	78,161	9.78
	10°	46,612	5.18	68,405	7.71	79,331	9.07	95,203	10.71
	20°	57,017	5.69	82,996	8.36	95,913	9.84	115,008	11.63
	25°	62,574	5.95	91,053	8.70	105,160	10.22	125,863	12.10
	30°	68,513	6.20	99,514	9.04	114,838	10.62	137,341	12.57
	45°	87,512	7.00	127,462	10.15	146,761	11.87	175,079	14.08
95°	-10°	27,522	4.17	42,317	6.49	51,035	7.70	59,877	9.10
	0°	34,104	4.79	51,177	7.27	60,428	8.62	72,011	10.19
	10°	41,981	5.37	62,112	8.01	72,471	9.48	86,837	11.22
	20°	51,102	5.93	74,944	8.74	86,905	10.32	104,280	12.23
	25°	55,986	6.21	82,050	9.12	94,892	10.75	113,741	12.75
	30°	61,129	6.49	89,518	9.50	103,347	11.18	123,890	13.26
	45°	77,788	7.35	114,116	10.71	131,147	12.52	156,917	14.90
105°	-10°	25,113	4.16	39,141	6.53	48,536	7.83	55,908	9.28
	0°	30,602	4.85	46,478	7.42	55,805	8.86	65,801	10.50
	10°	37,264	5.51	55,718	8.26	65,598	9.83	78,350	11.65
	20°	45,008	6.13	66,716	9.08	77,668	10.76	93,139	12.78
	25°	49,185	6.43	72,847	9.49	84,420	11.22	101,351	13.34
	30°	53,588	6.74	79,325	9.91	91,542	11.69	110,005	13.90
	45°	67,753	7.67	100,478	11.24	115,249	13.14	138,068	15.68
115°	-10°	22,773	4.07	36,131	6.49	46,494	7.83	52,125	9.33
	0°	27,064	4.86	41,769	7.50	51,406	9.01	59,692	10.71
	10°	32,439	5.59	49,207	8.45	56,758	10.09	69,630	12.00
	20°	38,751	6.28	58,245	9.37	68,330	11.13	81,642	13.25
	25°	42,257	6.62	63,299	9.83	73,741	11.64	88,442	13.87
	30°	—	—	68,725	10.29	—	—	95,617	14.49
	45°	—	—	—	—	—	—	—	—

¹ KW is for unit.

— Consult factory.

NOTE: High Temp. units running at 0° and -10°F SST will require Aux. Cooling Fans. Consult factory.

R507 - High Temp.		Unit Model Numbers			
		DS12H7	DS15H7	DS20H7	DS25H7
Compressor Model Number		3DF3-1200	3DS3-1500	4DA3-2000	4DH3-2500
Compressor Motor Protection		INHERENT			
Number of Cylinders		3	3	4	4
MCA †	208/230 V	70.8	85.0	93.0	118.0
	460 V	34.5	41.3	47.0	59.4
RLA / LRA per compressor	208/230 V	48.2 / 275.0	59.6 / 275.0	66.6 / 308.0	82.2 / 428.0
	460 V	23.6 / 138.0	29.0 / 138.0	33.3 / 154.0	41.4 / 214.0
Number of Condenser Fan Motors		2	2	2	3
Size of Motor / Size of Blade		1 HP - 28"	1 HP - 28"	1 HP - 28"	1 HP - 28"
Condenser Fan Motor Amps Each	208/230 V	4.6	4.6	4.6	4.6
	460 V	2.3	2.3	2.3	2.3
Receiver Size		8 5/8" x 60"	8 5/8" x 60"	8 5/8" x 60"	8 5/8" x 60"
Receiver Capacity 80% Full**		94 lbs.	94 lbs.	94 lbs.	94 lbs.
Unit Operating Charge (approx.) †	Standard*	66 lbs.	72 lbs.	75 lbs.	88 lbs.
	w/Flood Control*	132 lbs.	132 lbs.	133 lbs.	133 lbs.
Compressor Suction Connection - ODS		1 3/8"	1 5/8"	1 5/8"	2 1/8"
Liquid Line Connection - ODS		7/8"	7/8"	7/8"	7/8"
Unit Shipping Weight (approx.)		1,891 lbs.	1,891 lbs.	2,124 lbs.	2,511 lbs.

* Based on 100 feet of equivalent refrigerant line piping. (Does not include the evaporator.)

** Based on 80% full at 90°F ambient.

† DS and DM models are per unit. DD models are per circuit.

Ambient Temp. °F	Suction Temp. °F	Unit Model Numbers							
		DS12H7		DS15H7		DS20H7		DS25H7	
		Capacity	KW ¹	Capacity	KW ¹	Capacity	KW ¹	Capacity	KW ¹
85°	-10°	80,047	11.81	87,237	11.92	89,482	13.04	115,674	17.60
	0°	97,492	13.00	105,252	13.34	111,045	14.54	143,276	19.42
	10°	118,854	14.18	127,050	14.77	136,436	15.95	175,392	21.20
	20°	143,784	15.39	152,035	16.27	165,338	17.32	211,728	22.99
	25°	157,635	16.02	165,747	17.05	181,066	18.00	231,623	23.91
	30°	172,163	16.67	180,113	17.87	197,437	18.69	252,068	24.87
	45°	220,332	18.81	225,770	20.58	250,778	20.85	318,855	27.92
95°	-10°	74,978	12.15	81,765	12.24	80,860	13.16	105,883	18.03
	0°	89,864	13.49	96,785	13.82	99,732	14.86	130,361	20.06
	10°	108,416	14.80	115,417	15.40	122,051	16.45	158,815	22.03
	20°	130,282	16.14	136,988	17.02	147,551	17.98	191,133	24.01
	25°	142,484	16.82	148,863	17.87	161,277	18.75	208,354	25.03
	30°	155,219	17.54	161,056	18.75	175,743	19.52	226,641	26.05
	45°	197,461	19.86	200,337	21.64	222,413	21.90	285,139	29.35
105°	-10°	70,255	12.37	76,701	12.42	72,175	13.09	95,912	18.27
	0°	82,297	13.88	88,528	14.19	88,215	15.02	116,881	20.55
	10°	97,843	15.34	103,630	15.94	107,328	16.81	141,517	22.74
	20°	116,426	16.82	121,660	17.71	129,172	18.54	169,251	24.93
	25°	126,770	17.58	131,395	18.63	140,981	19.39	184,373	26.03
	30°	137,712	18.36	141,695	19.58	153,496	20.24	200,062	27.15
	45°	173,751	20.87	—	—	193,267	22.88	250,001	30.73
115°	-10°	65,888	12.46	72,005	12.46	63,507	12.83	85,694	18.31
	0°	74,839	14.16	80,300	14.44	76,441	15.02	102,936	20.86
	10°	87,018	15.80	91,796	16.37	92,070	17.05	123,395	23.31
	20°	102,211	17.44	—	—	110,299	18.98	146,546	25.72
	25°	110,632	18.27	—	—	120,001	19.94	159,095	26.94
	30°	119,688	19.13	—	—	130,208	20.89	172,274	28.17
	45°	—	—	—	—	—	—	—	—

¹ KW is for unit.

— Consult factory.

NOTE: High Temp. units running at 0° and -10°F SST will require Aux. Cooling Fans. Consult factory.

R507 - High Temp.		Unit Model Numbers			
		DS30H7	DS35H7	DS40H7	DD10H7
Compressor Model Number		4DJ3-3000	6DH3-3500	6DJ3-4000	2DD3-0500 (2)
Compressor Motor Protection		INHERENT			
Number of Cylinders		4	6	6	2
MCA †	208/230 V	132.8	174.8	***See Note Below	31.2
	460 V	66.1	87.5	98.4	14.6
RLA / LRA per compressor	208/230 V	94.0 / 470.0	125.1 / 565.0	***See Note Below	22.3 / 120.0
	460 V	47.0 / 235.0	62.6 / 283.0	71.0 / 297.0	10.5 / 60.0
Number of Condenser Fan Motors		3	4	4	2
Size of Motor / Size of Blade		1 HP - 28"	1 HP - 28"	1 HP - 28"	1/2 HP - 24"
Condenser Fan Motor Amps Each	208/230 V	4.6	4.6	4.6	2.2
	460 V	2.3	2.3	2.3	1.1
Receiver Size		10 3/4" x 60"	10 3/4" x 60"	12 3/4" x 60"	6" x 36" (2)
Receiver Capacity 80% Full**		144 lbs.	144 lbs.	191 lbs.	28 lbs.
Unit Operating Charge (approx.) †	Standard*	120 lbs.	133 lbs.	154 lbs.	29 lbs.
	w/Flood Control*	212 lbs.	212 lbs.	254 lbs.	41 lbs.
Compressor Suction Connection - ODS		2 1/8"	2 1/8"	2 1/8"	1 3/8"
Liquid Line Connection - ODS		1 1/8"	1 1/8"	1 1/8"	5/8"
Unit Shipping Weight (approx.)		2,616 lbs.	3,357 lbs.	3,457 lbs.	2,210 lbs.

* Based on 100 feet of equivalent refrigerant line piping. (Does not include the evaporator.)

** Based on 80% full at 90°F ambient.

† DS and DM models are per unit. DD models are per circuit.

*** Voltage	MCA	RLA	LRA
208v	209	150	754
230v	199	142	594

Ambient Temp. °F	Suction Temp. °F	Unit Model Numbers							
		DS30H7		DS35H7		DS40H7		DD10H7	
		Capacity	KW ¹	Capacity	KW ¹	Capacity	KW ¹	Capacity	KW ¹
85°	-10°	138,537	20.17	177,183	25.56	209,098	30.78	60,170	8.21
	0°	170,778	22.67	216,641	28.63	254,991	34.36	75,586	9.30
	10°	209,060	25.11	264,045	31.56	308,282	37.97	93,865	10.33
	20°	253,042	27.58	319,176	34.45	369,305	41.70	114,837	11.33
	25°	276,856	28.84	349,272	35.90	402,383	43.65	126,312	11.82
	30°	301,799	30.15	380,969	37.39	436,796	45.70	138,354	12.32
	45°	382,968	34.28	484,882	42.08	547,807	52.45	177,134	13.88
95°	-10°	127,613	20.63	163,414	26.07	191,672	31.49	55,227	8.33
	0°	155,561	23.39	197,338	29.53	231,872	35.50	68,572	9.56
	10°	189,165	26.06	238,849	32.79	279,173	39.50	85,607	10.71
	20°	227,494	28.74	287,155	35.99	332,972	43.61	103,078	11.81
	25°	248,476	30.10	313,805	37.58	361,733	45.76	113,133	12.36
	30°	270,404	31.49	341,847	39.20	392,152	47.98	123,586	12.91
	45°	340,925	35.90	432,831	44.28	489,104	55.28	157,694	14.60
105°	-10°	116,963	20.83	150,165	26.23	174,197	31.88	50,410	8.32
	0°	140,213	23.89	178,246	30.11	208,434	36.36	61,556	9.70
	10°	168,721	26.82	213,247	33.77	249,052	40.80	75,115	10.99
	20°	201,350	29.74	254,732	37.30	295,460	45.33	90,862	12.22
	25°	219,395	31.21	277,490	39.06	320,392	47.67	99,465	12.83
	30°	237,822	32.71	301,573	40.83	346,205	50.10	108,615	13.42
	45°	297,854	37.41	379,634	46.33	428,556	58.01	137,600	15.26
115°	-10°	106,425	20.75	137,547	25.99	156,394	31.93	45,730	8.15
	0°	124,658	24.15	159,285	30.37	184,329	36.95	54,446	9.72
	10°	147,543	27.40	187,489	34.46	217,896	41.88	65,433	11.17
	20°	174,392	30.58	221,649	38.38	256,156	46.88	78,415	12.54
	25°	188,999	32.18	240,502	40.32	—	—	85,567	13.20
	30°	—	—	—	—	—	—	—	—
	45°	—	—	—	—	—	—	—	—

¹ KW is for unit.

— Consult factory.

NOTE: High Temp. units running at 0° and -10°F SST will require Aux. Cooling Fans. Consult factory.

R507 - High Temp.

R507 - High Temp.		Unit Model Numbers			
		DD16H7	DD18H7	DD20H7	DD24H7
Compressor Model Number		2DA3-0750 (2)	3DA3-0750 (2)	3DB3-1000 (2)	3DF3-1200 (2)
Compressor Motor Protection		INHERENT			
Number of Cylinders		2	3	3	3
MCA †	208/230 V	45.7	57.0	60.2	70.8
	460 V	20.4	27.6	27.6	34.5
RLA / LRA per compressor	208/230 V	32 / 169.0	41.0 / 215.0	43.6 / 215.0	48.2 / 275.0
	460 V	14.1 / 85.0	20.0 / 106.0	20.0 / 106.0	23.6 / 138.0
Number of Condenser Fan Motors		2	4	4	4
Size of Motor / Size of Blade		1 HP - 28"	1/2 HP - 24"	1/2 HP - 24"	1 HP - 28"
Condenser Fan Motor Amps Each	208/230 V	4.6	2.2	2.2	4.6
	460 V	2.3	1.1	1.1	2.3
Receiver Size		8 5/8" x 36" (2)	8 5/8" x 42" (2)	8 5/8" x 42" (2)	8 5/8" x 60" (2)
Receiver Capacity 80% Full**		56 lbs.	63 lbs.	63 lbs.	94 lbs.
Unit Operating Charge (approx.) †	Standard*	37 lbs.	49 lbs.	61 lbs.	66 lbs.
	w/Flood Control*	81 lbs.	84 lbs.	93 lbs.	134 lbs.
Compressor Suction Connection - ODS		1 3/8" (2)	1 3/8" (2)	1 3/8" (2)	1 3/8" (2)
Liquid Line Connection - ODS		5/8" (2)	7/8" (2)	7/8" (2)	7/8" (2)
Unit Shipping Weight (approx.)		2,440 lbs.	2,520 lbs.	2,585 lbs.	2,701 lbs.

* Based on 100 feet of equivalent refrigerant line piping. (Does not include the evaporator.)

** Based on 80% full at 90°F ambient.

† DS and DM models are per unit. DD models are per circuit.

Ambient Temp. °F	Suction Temp. °F	Unit Model Numbers							
		DD16H7		DD18H7		DD20H7		DD24H7	
		Capacity	KW ¹	Capacity	KW ¹	Capacity	KW ¹	Capacity	KW ¹
85°	-10°	90,765	12.76	107,881	14.95	128,300	17.60	159,883	23.65
	0°	110,961	14.16	130,619	16.57	156,754	19.51	194,605	26.04
	10°	135,457	15.52	158,886	18.11	191,122	21.34	236,804	28.44
	20°	163,796	16.88	192,255	19.64	231,232	23.15	286,323	30.89
	25°	179,472	17.57	210,685	20.41	253,278	24.07	313,693	32.15
	30°	195,795	18.30	230,255	21.19	276,461	25.00	342,449	33.15
	45°	249,496	20.61	294,393	23.58	353,051	27.97	437,353	37.49
95°	-10°	84,123	12.99	102,078	15.40	119,981	18.19	149,691	24.32
	0°	101,510	14.58	120,999	17.22	144,475	20.34	179,332	27.01
	10°	122,778	16.10	145,173	18.95	174,452	22.38	215,991	29.67
	20°	147,622	17.62	174,065	20.63	209,641	24.39	259,396	32.36
	25°	161,495	18.38	190,172	21.47	229,012	25.40	283,394	33.76
	30°	175,823	19.17	207,053	22.33	249,534	26.42	308,625	35.26
	45°	222,861	21.69	263,243	25.00	316,718	29.64	391,681	39.90
105°	-10°	77,854	13.07	97,118	15.65	112,033	18.55	140,263	24.75
	0°	92,038	14.87	111,750	17.71	132,075	20.97	164,107	27.78
	10°	109,984	16.58	131,435	19.64	157,426	23.26	194,792	30.74
	20°	131,245	18.26	155,685	21.50	187,461	25.49	231,590	33.72
	25°	142,868	19.12	169,252	22.42	204,077	26.60	251,823	35.26
	30°	155,167	19.98	183,561	23.36	221,594	27.72	273,441	36.83
	45°	195,630	22.72	231,218	26.25	279,294	31.21	344,414	41.90
115°	-10°	71,914	12.97	92,983	15.67	104,459	18.66	131,552	24.92
	0°	82,692	15.01	102,855	18.01	119,747	21.40	149,182	28.34
	10°	97,015	16.94	117,762	20.18	140,038	23.97	173,323	31.64
	20°	114,337	18.82	136,969	22.24	164,575	26.44	203,060	34.94
	25°	123,933	19.76	147,921	23.26	178,164	27.68	219,673	36.63
	30°	—	—	—	—	192,969	28.90	237,538	38.34
	45°	—	—	—	—	—	—	—	—

¹ KW is for unit.

— Consult factory.

NOTE: High Temp. units running at 0° and -10°F SST will require Aux. Cooling Fans. Consult factory.

R507 - High Temp.		Unit Model Numbers			
		DD30H7	DD40H7	DD50H7	DD60H7
Compressor Model Number		3DS3-1500 (2)	4DA3-2000 (2)	4DH3-2500 (2)	4DJ3-3000 (2)
Compressor Motor Protection		INHERENT			
Number of Cylinders		3	4	4	4
MCA †	208/230 V	85.0	93.0	118.1	132.8
	460 V	41.3	47.0	59.4	66.1
RLA / LRA per compressor	208/230 V	59.6 / 275.0	66.6 / 308.0	82.2 / 428.0	94.0 / 470.0
	460 V	29.0 / 138.0	33.3 / 154.0	41.4 / 214.0	47.0 / 235.0
Number of Condenser Fan Motors		4	4	6	6
Size of Motor / Size of Blade		1 HP - 28"	1 HP - 28"	1 HP - 28"	1 HP - 28"
Condenser Fan Motor Amps Each	208/230 V	4.6	4.6	4.6	4.6
	460 V	2.3	2.3	2.3	2.3
Receiver Size		8 5/8" x 60"	8 5/8" x 60" (2)	8 5/8" x 60" (2)	10 3/4" x 60" (2)
Receiver Capacity 80% Full**		94 lbs.	94 lbs.	94 lbs.	144 lbs.
Unit Operating Charge (approx.) †	Standard*	72 lbs.	75 lbs.	88 lbs.	120 lbs.
	w/Flood Control*	134 lbs.	132 lbs.	161 lbs.	211 lbs.
Compressor Suction Connection - ODS		1 5/8"	1 5/8" (2)	2 1/8" (2)	2 1/8"
Liquid Line Connection - ODS		7/8"	7/8" (2)	7/8" (2)	1 1/8"
Unit Shipping Weight (approx.)		2,701 lbs.	2,970 lbs.	3,220 lbs.	3,470 lbs.

* Based on 100 feet of equivalent refrigerant line piping. (Does not include the evaporator.)

** Based on 80% full at 90°F ambient.

† DS and DM models are per unit. DD models are per circuit.

Ambient Temp. °F	Suction Temp. °F	Unit Model Numbers							
		DD30H7		DD40H7		DD50H7		DD60H7	
		Capacity	KW ¹	Capacity	KW ¹	Capacity	KW ¹	Capacity	KW ¹
85°	-10°	175,907	25.86	178,576	26.10	231,937	35.16	278,038	40.25
	0°	213,379	28.59	221,417	29.12	287,504	38.76	343,513	45.17
	10°	258,917	31.33	271,861	31.95	352,251	42.27	421,514	49.96
	20°	311,836	34.16	329,125	34.72	425,827	45.81	510,623	54.83
	25°	341,117	35.62	360,379	36.10	465,737	47.63	559,540	57.31
	30°	371,596	37.17	392,896	37.49	507,537	49.50	610,687	59.84
	45°	471,030	42.23	498,268	41.88	643,143	55.50	777,935	67.92
95°	-10°	164,836	26.56	161,310	26.31	212,512	36.03	256,344	41.22
	0°	196,617	29.61	198,891	29.73	261,776	40.06	313,365	46.65
	10°	235,811	32.64	243,229	32.93	319,29	43.96	381,313	51.95
	20°	281,786	35.74	293,823	36.02	384,436	47.88	459,977	57.21
	25°	307,091	37.35	321,101	37.57	419,717	49.88	503,336	59.86
	30°	333,713	39.02	349,317	39.13	456,688	51.91	548,098	62.60
	45°	420,257	44.45	441,749	43.94	575,748	58.41	694,257	71.22
105°	-10°	154,533	26.99	144,749	26.17	192,509	36.53	234,843	41.65
	0°	179,902	30.42	175,812	30.04	234,929	41.05	282,470	47.71
	10°	212,289	33.78	213,577	33.65	284,614	45.41	340,382	53.52
	20°	251,132	37.18	256,815	37.13	340,930	49.73	407,729	59.26
	25°	272,233	38.95	280,357	38.85	371,674	51.92	444,567	62.16
	30°	294,806	40.76	304,624	40.57	403,435	54.15	483,036	65.11
	45°	367,820	46.61	383,183	45.88	506,051	61.17	608,107	74.31
115°	-10°	144,993	27.13	126,688	25.64	171,902	36.62	213,793	41.53
	0°	163,337	30.99	152,215	30.03	206,935	41.70	251,265	48.28
	10°	188,570	34.73	183,232	34.11	248,426	46.55	298,272	54.71
	20°	219,458	38.49	218,946	38.00	295,927	51.34	353,618	60.99
	25°	236,804	40.40	238,653	39.92	321,264	53.75	384,299	64.14
	30°	—	—	258,892	41.83	348,026	56.19	416,104	67.32
	45°	—	—	—	—	—	—	—	—

¹ KW is for unit.

— Consult factory.

NOTE: High Temp. units running at 0° and -10°F SST will require Aux. Cooling Fans. Consult factory.

R507 - High Temp.		Unit Model Numbers			
		DD70H7	DD80H7	DM45H7	DM60H7
Compressor Model Number		6DH3-3500 (2)	6DJ3-4000 (2)	3DS3-1500 (3)	4DA3-2000 (3)
Compressor Motor Protection		INHERENT			
Number of Cylinders		6	6	3	4
MCA †	208/230 V	170.2	***See Note Below	221.3	244.1
	460 V	85.2	98.4	108.1	122.0
RLA / LRA per compressor	208/230 V	125.1 / 283.0	***See Note Below	59.6 / 275.0	66.6 / 308.0
	460 V	62.6 / 283.0	71.0 / 297.0	29.0 / 138.0	33.3 / 154.0
Number of Condenser Fan Motors		6	8	6	6
Size of Motor / Size of Blade		1 HP - 28"	1 HP - 28"	1 HP - 28"	1 HP - 28"
Condenser Fan Motor Amps Each	208/230 V	4.6	4.6	4.6	4.6
	460 V	2.3	2.3	2.3	2.3
Receiver Size		10 3/4" x 60" (2)	12 3/4" x 60" (2)	14" x 72" (2)	14" x 72"
Receiver Capacity 80% Full**		144 lbs.	191 lbs.	294 lbs.	294 lbs.
Unit Operating Charge (approx.) †	Standard*	133 lbs.	154 lbs.	304 lbs.	310 lbs.
	w/Flood Control*	236 lbs.	236 lbs.	447 lbs.	453 lbs.
Compressor Suction Connection - ODS		2 1/8" (2)	2 1/8" (2)	2 5/8"	3 1/8"
Liquid Line Connection - ODS		1 1/8" (2)	1 1/8" (2)	1 3/8"	1 3/8"
Unit Shipping Weight (approx.)		4,620 lbs.	4,860 lbs.	5,450 lbs.	5,858 lbs.

* Based on 100 feet of equivalent refrigerant line piping. (Does not include the evaporator.)

*** Voltage MCA RLA LRA

** Based on 80% full at 90°F ambient.

208v 233 170 660

† DS and DM models are per unit. DD models are per circuit.

230v 215 141 575

Ambient Temp. °F	Suction Temp. °F	Unit Model Numbers							
		DD70H7		DD80H7		DM45H7		DM60H7	
		Capacity	KW ¹	Capacity	KW ¹	Capacity	KW ¹	Capacity	KW ¹
85°	-10°	352,813	49.03	414,928	61.79	265,142	38.62	268,018	39.15
	0°	430,546	55.26	504,712	69.13	322,389	42.64	332,705	43.65
	10°	524,022	61.23	608,829	76.56	392,564	46.61	408,551	47.89
	20°	623,541	67.23	726,743	84.31	474,306	50.72	459,041	52.00
	25°	691,411	70.11	790,363	88.37	519,024	52.86	542,100	54.06
	30°	753,818	73.13	856,244	92.62	566,877	55.06	591,075	56.15
	45°	955,864	82.77	1,067,765	106.72	722,438	62.39	749,875	62.69
95°	-10°	325,432	50.00	380,251	63.12	248,458	39.72	242,133	39.47
	0°	392,260	56.98	458,541	71.31	297,049	44.23	298,714	44.58
	10°	473,931	63.61	550,255	79.50	357,586	48.66	356,663	49.36
	20°	568,502	70.11	653,932	87.98	428,940	53.19	441,597	53.99
	25°	620,403	73.38	709,161	92.43	468,497	55.52	482,636	56.30
	30°	674,537	76.70	767,012	97.02	510,066	57.93	526,116	58.61
	45°	851,458	87.08	949,690	112.22	646,746	65.77	664,243	65.82
105°	-10°	299,102	50.25	344,946	63.82	232,861	40.43	216,241	39.26
	0°	354,236	58.09	411,227	72.95	272,043	45.49	263,987	45.06
	10°	422,852	65.49	489,728	82.01	322,705	50.42	321,248	50.46
	20°	5003,215	72.68	578,388	91.31	383,108	55.41	386,371	55.66
	25°	547,794	76.26	625,797	96.14	416,251	57.98	421,835	58.22
	30	594,229	79.88	674,577	101.16	451,837	60.61	459,234	60.78
	45	745,265	91.11	828,738	117.51	568,039	69.11	576,589	68.75
115°	-10	276,905	49.72	309,535	63.83	218,349	40.69	190,233	38.48
	0	316,383	58.55	363,297	74.01	247,260	46.40	229,024	45.05
	10	371,105	66.82	427,400	84.06	286,985	51.91	275,798	51.15
	20°	437,179	74.77	—	—	335,546	57.43	329,659	56.98
	25°	—	—	—	—	362,815	60.25	358,602	59.85
	30°	—	—	—	—	391,960	63.11	389,922	62.70
	45°	—	—	—	—	—	—	—	—

¹ KW is for unit.

— Consult factory.

NOTE: High Temp. units running at 0° and -10°F SST will require Aux. Cooling Fans. Consult factory.

R507 - High Temp.		Unit Model Numbers			
		DM75H7	DM90H7	DM105H7	DM120H7
Compressor Model Number		4DH3-2500 (3)	4DJ3-3000 (3)	6DH3-3500 (3)	6DJ3-4000 (3)
Compressor Motor Protection		INHERENT			
Number of Cylinders		4	4	6	6
MCA †	208/230 V	304.0	342.3	443.4	***See Note Below
	460 V	152.0	171.2	221.9	258.4
RLA / LRA per compressor	208/230 V	82.2 / 428.0	94.0 / 470.0	125.1 / 565.0	***See Note Below
	460 V	41.1 / 214.0	47.0 / 235.0	62.6 / 283.0	71.0 / 270.0
Number of Condenser Fan Motors		8	8	8	12
Size of Motor / Size of Blade		1 HP - 28"	1 HP - 28"	1 HP - 28"	1 HP - 28"
Condenser Fan Motor Amps Each	208/230 V	4.6	4.6	4.6	4.6
	460 V	2.3	2.3	2.3	2.3
Receiver Size		14" x 72"	14" x 96"	16" x 96"	16" x 96"
Receiver Capacity 80% Full**		294 lbs.	395 lbs.	522 lbs.	522 lbs.
Unit Operating Charge (approx.) †	Standard*	381 lbs.	443 lbs.	616 lbs.	690 lbs.
	w/Flood Control*	571 lbs.	666 lbs.	992 lbs.	972 lbs.
Compressor Suction Connection - ODS		3 1/8"	3 5/8"	3 5/8"	3 5/8"
Liquid Line Connection - ODS		1 5/8"	1 5/8"	1 5/8"	2 1/8"
Unit Shipping Weight (approx.)		6,514 lbs.	6,844 lbs.	8,820 lbs.	9,019 lbs.

* Based on 100 feet of equivalent refrigerant line piping. (Does not include the evaporator.)

** Based on 80% full at 90°F ambient.

† DS and DM models are per unit. DD models are per circuit.

*** Voltage	MCA	RLA	LRA
208v	209	150	754
230v	199	142	954

Ambient Temp. °F	Suction Temp. °F	Unit Model Numbers							
		DM75H7		DM90H7		DM105H7		DM120H7	
		Capacity	KW ¹	Capacity	KW ¹	Capacity	KW ¹	Capacity	KW ¹
85°	-10°	347,022	51.71	414,962	59.47	532,392	72.20	630,256	92.11
	0°	429,828	57.16	511,350	66.98	651,512	81.34	769,059	102.73
	10°	526,177	62.49	625,802	74.34	795,162	90.05	931,724	113.35
	20°	635,183	67.88	756,440	81.80	961,526	98.65	1,117,530	124.32
	25°	694,870	70.62	827,861	85.62	1,053,092	102.93	1,218,861	130.04
	30°	756,204	73.50	902,294	89.54	1,148,911	107.36	1,323,677	136.08
	45°	956,565	82.65	1,141,776	102.14	1,465,211	121.21	1,666,727	155.82
95°	-10°	317,648	53.00	382,334	60.82	481,074	73.79	577,867	94.34
	0°	391,082	59.08	465,627	69.13	593,953	84.08	700,803	106.20
	10°	476,445	65.00	565,738	77.17	719,252	93.82	845,056	118.00
	20°	573,400	70.93	680,448	85.25	865,779	103.32	1,009,560	130.12
	25°	625,591	73.95	742,416	89.38	946,349	108.07	1,098,702	136.41
	30°	679,923	77.05	807,761	93.56	1,032,096	112.82	1,191,737	142.96
	45°	855,416	86.95	1,017,700	106.85	1,308,013	127.93	1,490,735	164.44
105°	-10°	287,735	53.71	350,197	61.40	451,518	74.29	525,036	95.60
	0°	350,644	60.54	419,506	70.60	536,731	85.88	629,615	108.92
	10°	424,550	67.12	503,827	79.47	643,168	96.76	754,366	122.03
	20°	507,752	73.68	601,818	88.23	768,839	107.28	895,869	135.45
	25°	553,120	76.98	654,856	92.67	837,804	112.54	973,449	142.33
	30°	600,186	80.36	710,526	97.17	910,804	117.80	1,053,716	149.45
	45°	750,004	91.08	887,586	111.37	1,147,703	134.20	1,309,030	172.74
115°	-10°	257,081	53.83	318,565	61.14	413,438	73.61	471,780	95.82
	0°	308,807	61.48	372,762	71.37	479,284	86.70	557,363	110.74
	10°	370,186	68.82	440,649	81.14	565,479	98.90	660,810	125.35
	20°	439,639	76.07	520,737	90.72	668,761	110.61	778,913	140.17
	25°	477,285	79.72	564,187	95.53	725,914	116.40	842,998	147.77
	30°	516,821	83.40	—	—	787,340	122.18	—	—
	45°	—	—	—	—	—	—	—	—

¹ KW is for unit.

— Consult factory.

NOTE: High Temp. units running at 0° and -10°F SST will require Aux. Cooling Fans. Consult factory.

R507 - High Temp.

R507 - Low Temp.		Unit Model Numbers				
		DS03L7	DS04L7	DS06L7	DS07L7	DS08L7
Compressor Model Number		2DF3-0300	2DL3-0400	2DA3-0600	3DA3-0600	3DB3-0750
Compressor Motor Protection		INHERENT				
Number of Cylinders		2	2	2	3	3
MCA †	208/230 V	24.3	36.2	39.3	36.5	42.7
	460 V	11.6	14.3	14.3	16.7	21.6
RLA / LRA per compressor	208/230 V	16.8 / 102.0	26.3 / 161.0	28.8 / 161.0	26.5 / 150.0	31.5 / 161.0
	460 V	8.1 / 52.0	10.2 / 60.0	10.2 / 60.0	12.0 / 77.0	16.1 / 83.0
Number of Condenser Fan Motors		1	1	1	1	1
Size of Motor / Size of Blade		1/2 HP - 20"	1/2 HP - 20"	1/2 HP - 24"	1/2 HP - 24"	1/2 HP - 24"
Condenser Fan Motor Amps Each	208/230 V	2.2	2.2	2.2	2.2	2.2
	460 V	1.1	1.1	1.1	1.1	1.1
Receiver Size		6" x 28"	6" x 28"	6" x 36"	8 5/8" x 36"	8 5/8" x 36"
Receiver Capacity 80% Full**		20 lbs.	20 lbs.	28 lbs.	56 lbs.	56 lbs.
Unit Operating Charge (approx.) †	Standard*	19 lbs.	21 lbs.	30 lbs.	34 lbs.	37 lbs.
	w/Flood Control*	30 lbs.	30 lbs.	41 lbs.	76 lbs.	76 lbs.
Compressor Suction Connection - ODS		1 3/8"	1 3/8"	1 3/8"	1 3/8"	1 3/8"
Liquid Line Connection - ODS		1/2"	1/2"	5/8"	5/8"	5/8"
Unit Shipping Weight (approx.)		1,080 lbs.	1,140 lbs.	1,310 lbs.	1,460 lbs.	1,460 lbs.

* Based on 100 feet of equivalent refrigerant line piping. (Does not include the evaporator.)

** Based on 80% full at 90°F ambient.

† DS and DM models are per unit. DD models are per circuit.

Ambient Temp. °F	Suction Temp. °F	Unit Model Numbers									
		DS03L7		DS04L7		DS06L7		DS07L7		DS08L7	
		Capacity	KW ¹	Capacity	KW ¹	Capacity	KW ¹	Capacity	KW ¹	Capacity	KW ¹
85°	-40°	12,919	3.10	15,618	3.52	18,934	4.00	22,735	4.72	26,863	5.51
	-30°	17,503	3.70	20,852	4.17	25,153	4.70	30,448	5.56	35,544	6.52
	-20°	22,963	4.26	27,034	4.82	32,600	5.40	39,574	6.38	45,857	7.54
	-10°	29,280	4.82	34,088	5.51	41,265	6.12	50,145	7.22	57,853	8.62
	0°	36,422	5.38	41,822	6.26	51,107	6.88	62,225	8.10	71,332	9.79
95°	-40°	11,294	3.03	13,879	3.48	17,002	3.99	20,248	4.67	24,437	5.54
	-30°	15,445	3.68	18,550	4.18	22,634	4.75	27,407	5.62	32,308	6.65
	-20°	20,381	4.29	24,054	4.88	29,375	5.51	35,834	6.55	41,649	7.77
	-10°	26,099	4.89	30,307	5.62	37,166	6.28	45,572	7.48	52,417	8.94
	0°	32,531	5.48	37,123	6.40	45,964	7.09	56,589	8.47	64,492	10.20
105°	-40°	9,646	2.90	12,117	3.40	15,022	3.92	17,617	4.55	21,890	5.49
	-30°	13,335	3.61	16,174	4.15	20,007	4.76	24,174	5.62	28,890	6.72
	-20°	17,724	4.28	20,985	4.91	25,954	5.58	31,912	6.66	37,202	7.94
	-10°	22,799	4.92	26,372	5.69	32,857	6.41	40,740	7.70	46,695	9.21
	0°	28,462	5.55	32,234	6.53	40,551	7.28	50,651	8.80	57,328	10.57
115°	-40°	7,969	2.71	10,292	3.26	12,980	3.80	14,866	4.36	19,254	5.36
	-30°	11,188	3.49	13,742	4.09	17,257	4.72	20,799	5.55	25,301	6.71
	-20°	15,013	4.22	17,791	4.90	22,382	5.61	27,726	6.71	32,507	8.06
	-10°	19,396	4.91	22,313	5.74	28,327	6.50	35,633	7.88	40,717	9.44
	0°	—	—	—	—	34,906	7.43	44,393	9.64	—	—

¹ KW is for unit.

— Consult factory.

R507 - Low Temp.		Unit Model Numbers				
		DS09L7	DS10L7	DS11L7	DS15L7	DS22L7
Compressor Model Number		3DF3-0900	3DS3-1000	4DA3-1010	4DL3-1500	4DT3-2200
Compressor Motor Protection		INHERENT				
Number of Cylinders		3	3	4	4	4
MCA †	208/230 V	54.5	58.2	58.2	71.5	93.0
	460 V	23.8	26.0	29.1	35.5	46.3
RLA / LRA per compressor	208/230 V	39.0 / 215.0	42.0 / 215.0	45.2 / 240.0	52.6 / 278.0	66.0 / 374.0
	460 V	16.9 / 106.0	18.6 / 106.0	21.0 / 120.0	26.3 / 139.0	33.0 / 187.0
Number of Condenser Fan Motors		1	1	1	2	2
Size of Motor / Size of Blade		1 HP - 28"	1 HP - 28"	1 HP - 28"	1/2 HP - 24"	1 HP - 28"
Condenser Fan Motor Amps Each	208/230 V	4.6	4.6	4.6	2.2	4.6
	460 V	2.3	2.3	2.3	1.1	2.3
Receiver Size		8 5/8" x 36"	8 5/8" x 36"	8 5/8" x 36"	8 5/8" x 60"	8 5/8" x 60"
Receiver Capacity 80% Full**		56 lbs.	56 lbs.	56 lbs.	94 lbs.	94 lbs.
Unit Operating Charge (approx.) †	Standard*	42 lbs.	44 lbs.	51 lbs.	68 lbs.	80 lbs.
	w/Flood Control*	82 lbs.	82 lbs.	91 lbs.	127 lbs.	136 lbs.
Compressor Suction Connection - ODS		1 3/8"	1 3/8"	1 5/8"	1 5/8"	2 1/8"
Liquid Line Connection - ODS		5/8"	5/8"	5/8"	7/8"	7/8"
Unit Shipping Weight (approx.)		1,562 lbs.	1,572 lbs.	1,688 lbs.	1,821 lbs.	2,073 lbs.

* Based on 100 feet of equivalent refrigerant line piping. (Does not include the evaporator.)

** Based on 80% full at 90°F ambient.

† DS and DM models are per unit. DD models are per circuit.

Ambient Temp. °F	Suction Temp. °F	Unit Model Numbers									
		DS09L7		DS10L7		DS11L7		DS15L7		DS22L7	
		Capacity	KW ¹	Capacity	KW ¹	Capacity	KW ¹	Capacity	KW ¹	Capacity	KW ¹
85°	-40°	32,871	7.08	37,171	7.81	37,820	7.85	50,543	10.41	60,729	12.99
	-30°	43,537	8.28	48,990	9.20	50,841	9.40	66,956	12.32	80,550	15.32
	-20°	56,359	9.53	62,880	10.63	65,763	10.87	85,634	14.19	103,229	17.60
	-10°	71,356	10.89	78,798	12.15	82,697	12.31	106,601	16.09	128,650	19.92
	0°	88,378	12.41	96,638	13.80	101,609	13.79	129,648	18.08	156,626	22.35
95°	-40°	29,913	7.15	33,765	7.85	33,437	7.69	45,607	10.44	54,270	12.91
	-30°	39,664	8.46	44,524	9.38	45,496	9.44	60,680	12.56	72,462	15.49
	-20°	51,359	9.82	57,130	10.93	59,242	11.10	77,599	14.63	92,940	18.00
	-10°	64,981	11.29	71,432	12.57	74,673	12.74	96,435	16.70	115,739	20.53
	0°	80,345	12.93	87,386	14.33	91,712	14.40	116,816	18.87	140,443	23.17
105°	-40°	26,910	7.14	30,145	7.80	28,698	7.37	40,178	10.31	47,288	12.64
	-30°	35,608	8.58	39,794	9.47	39,737	9.35	53,767	12.65	63,643	15.49
	-20°	46,086	10.07	51,015	11.16	52,198	11.23	68,930	14.93	81,848	18.25
	-10°	58,184	11.67	63,703	12.93	65,986	13.07	85,407	17.21	101,836	21.02
	0°	71,856	13.42	77,634	14.82	81,078	14.94	103,089	19.57	123,393	23.88
115°	-40°	23,808	7.05	26,334	7.63	23,637	6.91	34,228	10.00	39,698	12.17
	-30°	31,416	8.64	34,780	9.48	33,653	9.13	46,300	12.60	54,151	15.31
	-20°	40,577	10.27	44,494	11.32	44,702	11.24	59,536	15.11	70,043	18.35
	-10°	51,126	12.00	55,407	13.23	56,867	13.31	73,654	17.61	87,165	21.38
	0°	—	—	—	—	69,821	15.41	—	—	105,038	24.49

¹ KW is for unit.

— Consult factory.

R507 - Low Temp.		Unit Model Numbers			
		DS27L7	DS30L7	DD12L7	DD14L7
Compressor Model Number		6DL3-2700	6DT3-3000	2DA3-0600 (2)	3DA3-0600 (2)
Compressor Motor Protection		INHERENT			
Number of Cylinders		6	6	2	3
MCA †	208/230 V	116.3	134.8	39.3	36.5
	460 V	57.8	67.1	14.3	16.7
RLA / LRA per compressor	208/230 V	80.8 / 436.0	95.6 / 470.0	28.8 / 161.0	36.5 / 150.0
	460 V	40.4 / 218.0	47.8 / 235.0	10.2 / 60.0	12.0 / 77.0
Number of Condenser Fan Motors		3	3	2	2
Size of Motor / Size of Blade		1 HP - 28"	1 HP - 28"	1/2 HP - 24"	1/2 HP - 24"
Condenser Fan Motor Amps Each	208/230 V	4.6	4.6	2.2	2.2
	460 V	2.3	2.3	1.1	1.1
Receiver Size		8 5/8" x 60"	10 3/4" x 60"	6" x 36" (2)	8 5/8" x 36" (2)
Receiver Capacity 80% Full**		94 lbs.	144 lbs.	28 lbs.	56 lbs.
Unit Operating Charge (approx.) †	Standard*	93 lbs.	125 lbs.	30 lbs.	37 lbs.
	w/Flood Control*	147 lbs.	215 lbs.	40 lbs.	74 lbs.
Compressor Suction Connection - ODS		2 1/8"	2 1/8"	1 3/8" (2)	1 3/8" (2)
Liquid Line Connection - ODS		7/8"	1 1/8"	5/8" (2)	5/8" (2)
Unit Shipping Weight (approx.)		2,459 lbs.	2,616 lbs.	2,596 lbs.	2,848 lbs.

* Based on 100 feet of equivalent refrigerant line piping. (Does not include the evaporator.)

** Based on 80% full at 90°F ambient.

† DS and DM models are per unit. DD models are per circuit.

Ambient Temp. °F	Suction Temp. °F	Unit Model Numbers							
		DS27L7		DS30L7		DD12L7		DD14L7	
		Capacity	KW ¹	Capacity	KW ¹	Capacity	KW ¹	Capacity	KW ¹
85°	-40°	75,071	16.68	86,417	19.49	37,806	8.00	45,160	9.43
	-30°	101,005	19.64	114,144	22.95	50,251	9.40	60,427	11.14
	-20°	131,189	22.56	147,170	26.50	65,108	10.80	78,407	12.82
	-10°	165,733	25.57	185,477	30.28	82,366	12.25	99,256	14.53
	0°	204,679	28.78	228,894	34.43	101,911	13.78	122,879	16.37
95°	-40°	66,526	16.49	77,933	19.49	33,978	7.98	40,147	9.33
	-30°	90,823	19.81	102,999	23.30	45,205	9.51	54,282	11.25
	-20°	118,946	23.08	132,826	27.18	58,608	11.02	70,917	13.13
	-10°	150,813	26.43	167,328	31.27	74,116	12.57	90,051	15.04
	0°	186,447	29.99	206,259	35.73	91,610	14.20	111,554	17.07
105°	-40°	57,406	16.07	69,210	19.25	30,000	7.84	34,909	9.08
	-30°	80,019	19.78	91,344	23.44	39,934	9.52	47,835	11.23
	-20°	105,758	23.43	117,831	27.68	51,816	11.16	62,974	13.33
	-10°	134,934	27.14	148,306	32.13	65,522	12.83	80,263	15.46
	0°	166,964	31.09	182,084	36.94	80,789	14.57	99,597	17.71
115°	-40°	47,740	15.39	60,081	18.76	25,920	7.59	29,410	8.69
	-30°	68,363	19.52	79,243	23.38	34,452	9.43	41,082	11.09
	-20°	91,833	23.58	102,010	28.02	44,671	11.22	54,604	13.43
	-10°	117,855	27.71	127,953	32.85	56,412	13.01	69,965	15.80
	0°	146,269	32.07	156,768	38.04	69,500	14.87	86,944	18.28

¹ KW is for unit.

— Consult factory.

R507 - Low Temp.		Unit Model Numbers			
		DD16L7	DD18L7	DD20L7	DD22L7
Compressor Model Number		3DB3-0750 (2)	3DF3-0900 (2)	3DS3-1000 (2)	4DA3-1010 (2)
Compressor Motor Protection		INHERENT			
Number of Cylinders		3	3	3	4
MCA †	208/230 V	42.7	54.5	58.2	58.2
	460 V	21.6	23.8	26.0	29.1
RLA / LRA per compressor	208/230 V	34.5 / 161.0	39.0 / 215.0	42.0 / 215.0	42.0 / 240.0
	460 V	16.1 / 83.0	16.9 / 106.0	18.6 / 106.0	21.0 / 120.0
Number of Condenser Fan Motors		2	2	4	4
Size of Motor / Size of Blade		1/2 HP - 24"	1 HP - 28"	1/2 HP - 24"	1/2 HP - 24"
Condenser Fan Motor Amps Each	208/230 V	2.2	4.6	2.2	2.2
	460 V	1.1	2.3	1.1	1.1
Receiver Size		8 5/8" x 36" (2)	8 5/8" x 36" (2)	8 5/8" x 36" (2)	8 5/8" x 36" (2)
Receiver Capacity 80% Full**		56 lbs.	56 lbs.	56 lbs.	56 lbs.
Unit Operating Charge (approx.) †	Standard*	34 lbs.	42 lbs.	44 lbs.	51 lbs.
	w/Flood Control*	74 lbs.	88 lbs.	77 lbs.	86 lbs.
Compressor Suction Connection - ODS		1 3/8" (2)	1 3/8" (2)	1 3/8" (2)	1 5/8" (2)
Liquid Line Connection - ODS		5/8" (2)	5/8" (2)	5/8" (2)	5/8" (2)
Unit Shipping Weight (approx.)		2,861 lbs.	2,991 lbs.	3,177 lbs.	3,434 lbs.

* Based on 100 feet of equivalent refrigerant line piping. (Does not include the evaporator.)

** Based on 80% full at 90°F ambient.

† DS and DM models are per unit. DD models are per circuit.

Ambient Temp. °F	Suction Temp. °F	Unit Model Numbers							
		DD16L7		DD18L7		DD20L7		DD22L7	
		Capacity	KW ¹	Capacity	KW ¹	Capacity	KW ¹	Capacity	KW ¹
85°	-40°	53,676	11.02	65,483	14.17	74,550	15.61	76,354	15.72
	-30°	70,969	13.04	86,650	16.59	98,319	18.39	95,898	18.39
	-20°	91,577	15.09	112,029	19.12	126,297	21.22	124,729	21.10
	-10°	115,440	17.25	141,610	21.88	158,419	24.22	157,841	23.72
	0°	142,270	19.61	175,170	24.97	194,513	27.49	195,365	26.35
95°	-40°	48,791	11.7	59,609	14.30	67,763	15.70	67,606	15.42
	-30°	64,469	13.3	78,850	16.94	89,442	18.75	86,315	18.53
	-20°	83,119	15.54	101,923	19.70	114,803	21.84	113,173	21.62
	-10°	104,597	17.89	128,690	22.69	143,809	25.07	143,662	24.61
	0°	128,621	20.42	158,949	26.00	176,117	28.57	178,063	27.60
105°	-40°	43,728	10.97	53,550	14.28	60,537	15.60	58,202	14.82
	-30°	57,681	13.43	70,756	17.18	79,968	18.94	76,129	18.43
	-20°	74,186	15.89	91,386	20.18	102,645	22.30	100,746	21.94
	-10°	93,169	18.44	115,255	23.41	128,272	25.81	128,578	25.33
	0°	114,221	21.17	141,955	26.97	156,671	29.56	159,564	28.71
115°	-40°	38,467	10.72	47,368	14.09	52,928	15.29	48,099	13.92
	-30°	50,544	13.43	62,298	17.28	69,932	18.96	65,167	18.08
	-20°	64,845	16.12	80,327	20.56	89,680	22.62	87,489	22.04
	-10°	81,154	18.89	101,037	24.06	111,861	26.41	112,375	25.87
	0°	—	—	—	—	—	—	139,771	29.69

¹ KW is for unit.

— Consult factory.

R507 - Low Temp.		Unit Model Numbers			
		DD30L7	DD44L7	DD54L7	DD60L7
Compressor Model Number		4DL3-1500 (2)	4DT3-2200 (2)	6DL3-2700 (2)	6DT3-3000 (2)
Compressor Motor Protection		INHERENT			
Number of Cylinders		4	4	6	6
MCA †	208/230 V	71.5	93.0	116.3	134.8
	460 V	35.5	46.3	57.8	67.2
RLA / LRA per compressor	208/230 V	52.6 / 278.0	66.0 / 374.0	80.8 / 436.0	95.6 / 470.0
	460 V	26.3 / 139.0	33.0 / 187.0	40.4 / 218.0	47.8 / 235.0
Number of Condenser Fan Motors		4	4	6	6
Size of Motor / Size of Blade		1/2 HP - 24"	1 HP - 28"	1 HP - 28"	1 HP - 28"
Condenser Fan Motor Amps Each	208/230 V	2.2	4.6	4.6	4.6
	460 V	1.1	2.3	2.3	2.3
Receiver Size		8 5/8" x 60" (2)	8 5/8" x 60" (2)	8 5/8" x 60" (2)	10 3/4" x 60" (2)
Receiver Capacity 80% Full**		94 lbs.	94 lbs.	94 lbs.	144 lbs.
Unit Operating Charge (approx.) †	Standard*	68 lbs.	80 lbs.	93 lbs.	125 lbs.
	w/Flood Control*	124 lbs.	134 lbs.	148 lbs.	211 lbs.
Compressor Suction Connection - ODS		1 5/8" (2)	2 1/8" (2)	2 1/8" (2)	2 1/8" (2)
Liquid Line Connection - ODS		7/8" (2)	7/8" (2)	7/8" (2)	7/8" (2)
Unit Shipping Weight (approx.)		3,499 lbs.	3,811 lbs.	4,345 lbs.	5,277 lbs.

* Based on 100 feet of equivalent refrigerant line piping. (Does not include the evaporator.)

** Based on 80% full at 90°F ambient.

† DS and DM models are per unit. DD models are per circuit.

Ambient Temp. °F	Suction Temp. °F	Unit Model Numbers							
		DD30L7		DD44L7		DD54L7		DD60L7	
		Capacity	KW ¹	Capacity	KW ¹	Capacity	KW ¹	Capacity	KW ¹
85°	-40°	101,036	20.82	121,458	25.998	149,363	33.34	173,862	38.95
	-30°	133,815	24.64	161,058	30.64	200,856	39.32	229,932	45.79
	-20°	171,139	28.40	206,349	35.20	260,684	45.25	297,011	52.79
	-10°	212,915	32.21	257,159	39.85	328,856	51.38	375,086	60.21
	0°	258,833	36.20	313,067	44.72	405,613	57.94	464,171	68.31
95°	-40°	91,102	20.88	108,538	25.83	132,220	32.95	156,898	38.99
	-30°	121,244	25.12	144,831	30.97	180,503	39.63	207,830	46.54
	-20°	155,082	29.26	185,801	36.00	235,980	46.25	268,595	54.19
	-10°	192,643	33.42	231,278	41.07	298,861	53.03	339,141	62.25
	0°	233,127	37.77	280,875	46.34	368,784	60.31	419,078	70.97
105°	-40°	80,269	20.61	94,496	25.28	113,940	32.07	139,429	38.55
	-30°	107,503	25.31	127,183	30.97	158,611	39.53	184,559	46.88
	-20°	137,688	29.87	163,655	36.50	209,561	46.89	238,696	55.26
	-10°	170,553	34.44	203,666	42.04	266,752	54.44	301,088	64.02
	0°	205,724	39.16	249,474	47.77	329,683	62.45	371,390	73.44
115°	-40°	68,402	20.00	79,395	24.33	94,501	30.69	121,163	37.60
	-30°	92,513	25.20	108,299	30.62	135,482	39.00	160,184	46.79
	-20°	118,819	30.23	139,944	36.69	181,662	47.18	206,981	55.98
	-10°	146,981	35.23	174,186	42.76	232,579	55.53	261,056	65.51
	0°	—	—	210,068	48.98	288,058	64.37	320,883	75.72

¹ KW is for unit.

— Consult factory.

R507 - Low Temp.		Unit Model Numbers			
		DM45L7	DM66L7	DM81L7	DM90L7
Compressor Model Number		4DL3-1500 (3)	4DT3-2200 (3)	6DL3-2700 (3)	6DT3-3000 (3)
Compressor Motor Protection		INHERENT			
Number of Cylinders		4	4	6	6
MCA †	208/230 V	198.6	242.1	290.2	338.3
	460 V	99.3	121.1	145.1	169.2
RLA / LRA per compressor	208/230 V	52.6 / 278.0	66.0 / 374.0	80.8 / 436.0	95.6 / 470.0
	460 V	26.3 / 139.0	33.0 / 187.0	40.4 / 218.0	47.8 / 235.0
Number of Condenser Fan Motors		6	6	6	6
Size of Motor / Size of Blade		1 HP - 28"	1 HP - 28"	1 HP - 28"	1 HP - 28"
Condenser Fan Motor Amps Each	208/230 V	4.6	4.6	4.6	4.6
	460 V	2.3	2.3	2.3	2.3
Receiver Size		14" x 72"	14" x 72"	14" x 96"	14" x 96"
Receiver Capacity 80% Full**		294 lbs.	294 lbs.	386 lbs.	386 lbs.
Unit Operating Charge (approx.) †	Standard*	195 lbs.	213 lbs.	266 lbs.	317 lbs.
	w/Flood Control*	290 lbs.	308 lbs.	409 lbs.	507 lbs.
Compressor Suction Connection - ODS		3 1/8"	3 1/8"	3 5/8"	3 5/8"
Liquid Line Connection - ODS		1 1/8"	1 1/8"	1 3/8"	1 3/8"
Unit Shipping Weight (approx.)		5,481 lbs.	5,807 lbs.	6,314 lbs.	6,476 lbs.

* Based on 100 feet of equivalent refrigerant line piping. (Does not include the evaporator.)

** Based on 80% full at 90°F ambient.

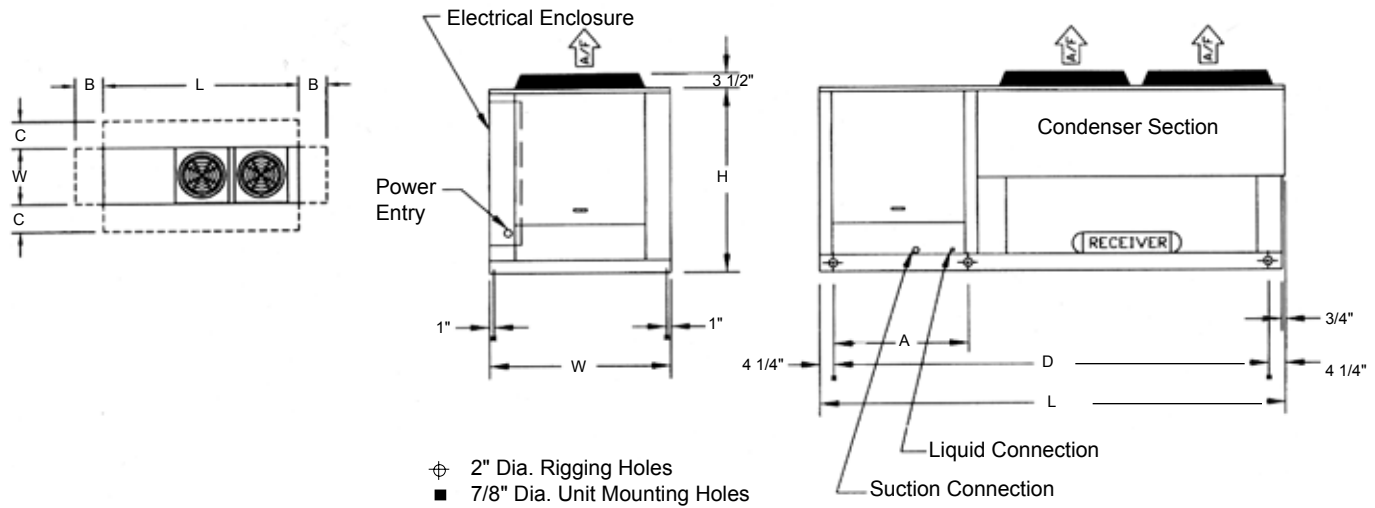
† DS and DM models are per unit. DD models are per circuit.

Ambient Temp. °F	Suction Temp. °F	Unit Model Numbers							
		DM45L7		DM66L7		DM81L7		DM90L7	
		Capacity	KW ¹	Capacity	KW ¹	Capacity	KW ¹	Capacity	KW ¹
85°	-40°	150,244	34.57	181,143	38.98	219,745	46.64	252,911	55.25
	-30°	198,710	40.41	239,807	46.03	295,049	55.88	331,987	66.08
	-20°	253,313	46.19	306,821	52.98	381,648	65.18	424,835	77.37
	-10°	314,196	52.09	381,577	60.07	479,652	74.92	530,692	89.54
	0°	380,587	58.29	463,512	67.54	588,302	85.51	647,537	103.05
95°	-40°	135,250	34.60	161,580	38.70	193,809	45.90	227,536	55.01
	-30°	179,440	41.06	215,397	46.48	264,102	56.17	298,304	66.85
	-20°	228,987	47.39	275,826	54.11	344,004	66.46	381,120	79.07
	-10°	283,288	53.82	342,607	61.83	433,582	77.19	474,789	92.16
	0°	341,327	60.54	414,953	69.89	531,828	88.79	577,437	106.58
105°	-40°	118,870	34.14	140,618	37.85	166,370	44.47	201,227	54.09
	-30°	158,636	41.27	188,847	46.43	231,175	55.86	263,052	67.03
	-20°	202,547	48.23	242,623	54.80	304,009	67.23	335,340	80.30
	-10°	249,782	55.25	301,056	63.22	384,391	79.06	415,085	94.41
	0°	299,680	62.53	362,899	71.96	471,641	91.77	503,592	109.84
115°	-40°	101,057	33.19	117,938	36.40	137,610	42.34	173,734	52.42
	-30°	136,196	41.05	160,419	45.86	196,066	54.92	226,289	66.60
	-20°	174,061	48.69	206,808	55.05	261,472	67.48	287,241	81.03
	-10°	214,460	56.35	256,425	64.24	332,604	80.49	354,848	96.25
	0°	—	—	—	—	—	—	—	—

¹ KW is for unit.

— Consult factory.

DS Dimensions



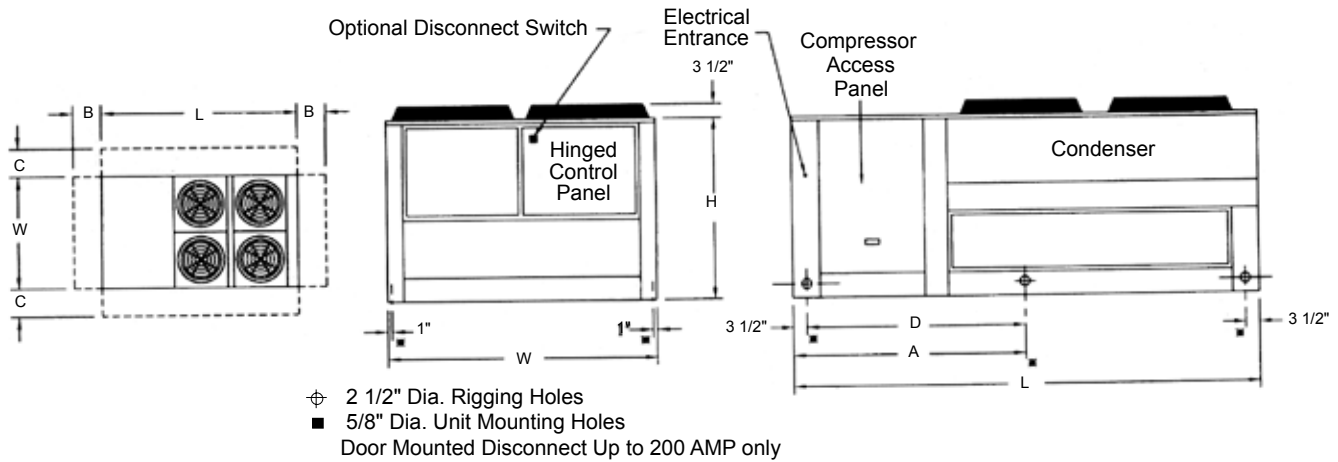
High Temp Models

Unit Model	L	W	H	A	B	C	D
DS05H	81 3/4"	43"	44 1/2"	—	60"	43"	73 1/4"
DS08H	87 3/4"	48"	44 1/2"	—	60"	48"	79 1/4"
DS09H	87 3/4"	48"	44 1/2"	—	60"	48"	79 1/4"
DS10H	111 3/4"	43"	44 1/2"	28 1/2"	60"	43"	103 1/4"
DS12H	122 3/4"	48"	44 1/2"	32 1/2"	60"	48"	114 1/4"
DS15H	122 3/4"	48"	44 1/2"	32 1/2"	60"	48"	114 1/4"
DS20H	122 3/4"	48"	44 1/2"	32 1/2"	60"	48"	114 1/4"
DS25H	151 3/4"	48"	44 1/2"	32 1/2"	60"	48"	143 1/4"
DS30H	151 3/4"	48"	44 1/2"	32 1/2"	60"	48"	143 1/4"
DS35H	187 3/4"	48"	44 1/2"	32 1/2"	60"	48"	179 1/4"
DS40H	187 3/4"	48"	44 1/2"	32 1/2"	60"	48"	179 1/4"

Low Temp Models

Unit Model	L	W	H	A	B	C	D
DS03L	55 5/8"	33"	44 1/2"	—	60"	33"	47 1/8"
DS04L	55 5/8"	33"	44 1/2"	—	60"	33"	47 1/8"
DS06L	81 3/4"	43"	44 1/2"	—	60"	43"	73 1/4"
DS07L	81 3/4"	43"	44 1/2"	—	60"	43"	73 1/4"
DS08L	81 3/4"	43"	44 1/2"	—	60"	43"	73 1/4"
DS09L	87 3/4"	48"	44 1/2"	—	60"	48"	79 1/4"
DS10L	87 3/4"	48"	44 1/2"	—	60"	48"	79 1/4"
DS11L	87 3/4"	48"	44 1/2"	—	60"	48"	79 1/4"
DS15L	111 3/4"	43"	44 1/2"	28 1/2"	60"	43"	103 1/4"
DS22L	123 3/4"	48"	44 1/2"	32 1/2"	60"	48"	115 1/4"
DS27L	151 3/4"	48"	44 1/2"	32 1/2"	60"	48"	143 1/4"
DS30L	151 3/4"	48"	44 1/2"	32 1/2"	60"	48"	143 1/4"

DD Dimensions



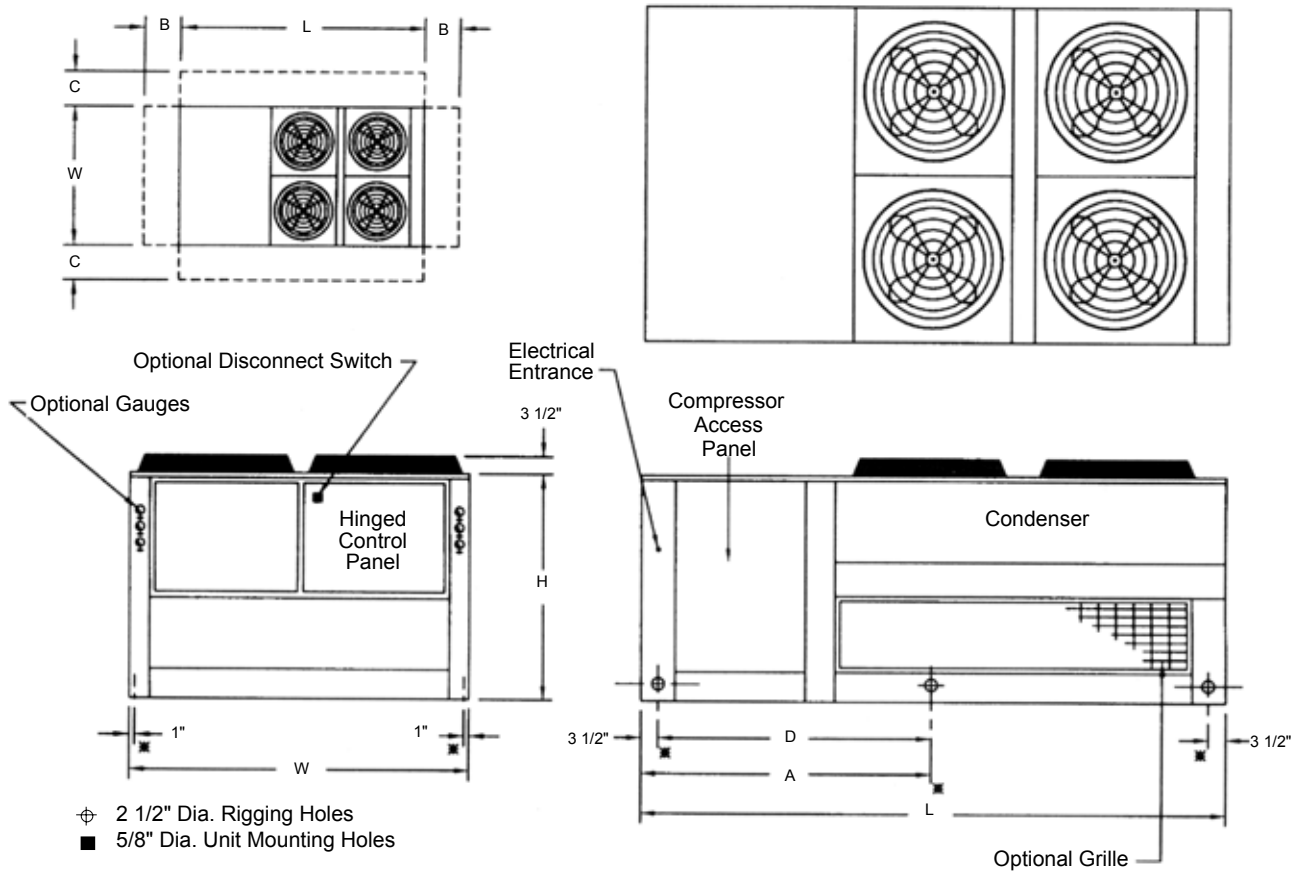
High Temp Models

Unit Model	L	W	H	A	B	C	D
DD10H	103 1/4"	67 3/4"	63"	–	60"	67 3/4"	–
DD16H	103 1/4"	67 3/4"	63"	–	60"	67 3/4"	–
DD18H	138 3/4"	67 3/4"	63"	68"	60"	67 3/4"	64 1/2"
DD20H	138 3/4"	67 3/4"	63"	68"	60"	67 3/4"	64 1/2"
DD24H	138 3/4"	67 3/4"	63"	68"	60"	67 3/4"	64 1/2"
DD30H	138 3/4"	67 3/4"	63"	68"	60"	67 3/4"	64 1/2"
DD40H	162 1/4"	67 3/4"	63"	83 1/2"	60"	67 3/4"	80"
DD50H	190"	88"	63"	90"	60"	88"	86 1/2"
DD60H	190"	88"	63"	90"	60"	88"	86 1/2"
DD70H	190"	88"	63"	90"	60"	88"	86 1/2"
DD80H	190"	88"	63"	90"	60"	88"	86 1/2"

Low Temp Models

Unit Model	L	W	H	A	B	C	D
DD12L	103 1/4"	67 3/4"	63"	–	60"	67 3/4"	–
DD14L	103 1/4"	67 3/4"	63"	–	60"	67 3/4"	–
DD16L	103 1/4"	67 3/4"	63"	–	60"	67 3/4"	–
DD18L	103 1/4"	67 3/4"	63"	–	60"	67 3/4"	–
DD20L	138 3/4"	67 3/4"	63"	68"	60"	67 3/4"	64 1/2"
DD22L	138 3/4"	67 3/4"	63"	68"	60"	67 3/4"	64 1/2"
DD30L	138 3/4"	67 3/4"	63"	68"	60"	67 3/4"	64 1/2"
DD44L	138 3/4"	67 3/4"	63"	68"	60"	67 3/4"	64 1/2"
DD54L	162 1/4"	67 3/4"	63"	83 1/2"	60"	67 3/4"	80"
DD60L	190"	88"	63"	90"	60"	88"	86 1/2"

DM Dimensions



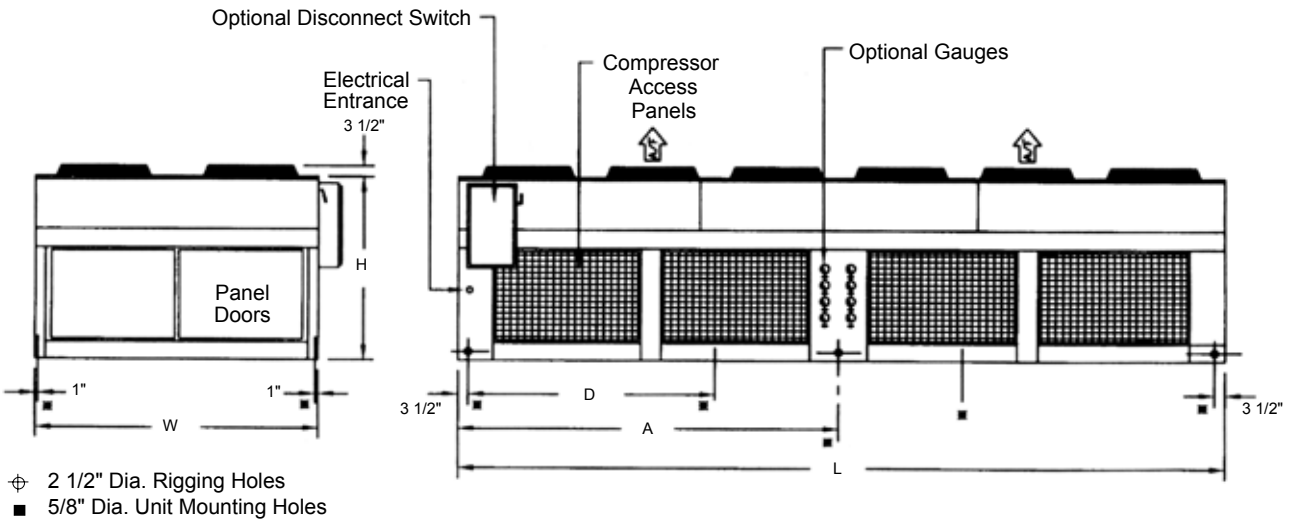
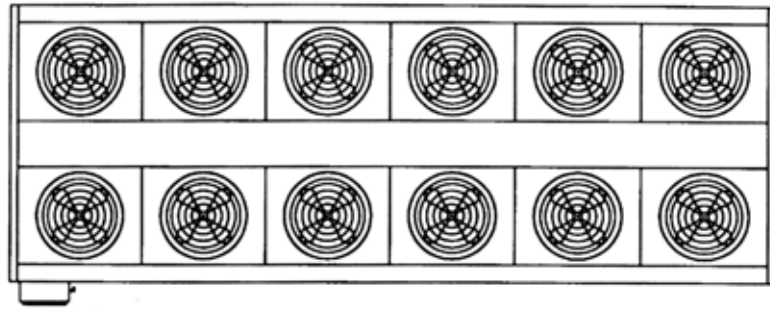
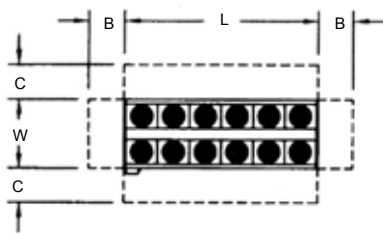
High Temp Models

Unit Model	L	W	H	A	B	C	D
DM45H	190"	88"	63"	95"	60"	88"	91 1/2"
DM60H	190"	88"	63"	95"	60"	88"	91 1/2"
DM75H	190"	88"	63"	95"	60"	88"	91 1/2"

Low Temp Models

Unit Model	L	W	H	A	B	C	D
DM45L	190"	88"	63"	95"	60"	88"	91 1/2"
DM66L	190"	88"	63"	95"	60"	88"	91 1/2"
DM81L	190"	88"	63"	95"	60"	88"	91 1/2"
DM90L	190"	88"	63"	95"	60"	88"	91 1/2"

DM Dimensions



High Temp Models

Unit Model	L	W	H	A	B	C	D
DM90H	180"	88"	63"	90"	60"	88"	57.67"
DM105H	264"	96"	63"	132"	60"	96"	85.67"
DM120H	264"	96"	63"	132"	60"	96"	85.67"



CENTURY

REFRIGERATION

P.O. Box 1206 • Pryor, OK 74362 • (918) 825-7222 • FAX (918) 825-0723